

03 322-3751  
nanya@nanyapcb.com.tw

03 322-3751  
nanya@nanyapcb.com.tw

201-36 3  
02 2712-2211  
338  
03 322-3751

201

02 2718-9898

7 68  
www.kpng.com.tw  
02 8101-6666

www.nanyapcb.com.tw

# 目 錄

## 壹、致股東報告書

.....	1
.....	1

## 貳、公司簡介

.....	2
.....	2
.....	2

## 參、公司治理報告

.....	4
( ) .....	4
( ) .....	5
.....	6
( ) .....	6
( ) .....	10
( ) ( ) .....	10
( ) .....	10
.....	15
.....	16
( ) .....	16
( ) .....	17
( ) .....	18
( ) .....	20
( ) .....	26
( ) .....	26
( ) .....	28
( ) .....	28
.....	29
( ) .....	29

	.....	29
( )		
	.....	36
( )		
	.....	36
	.....	36
( )		
	.....	36
( )		
	.....	36
( )		
	.....	36
( )		
	.....	37
( )		
	.....	37
( )		
	.....	37
	.....	38
	.....	38
	.....	39
		40
<b>肆、募集情形</b>		
	.....	41
( )		
	.....	41
( )		
	.....	42
( )		
	.....	42
( )		
	.....	43
( )		
	.....	43
( )		
	.....	44
( )		
	.....	44
( )		
	.....	44
( )		
	.....	45
	.....	45
	.....	45

	.....	46
	.....	46
	.....	46
	.....	47
( )	.....	47
( )	.....	47
<b>伍、營運概況</b>		
	.....	48
( )	.....	48
( )	.....	48
( )	.....	49
( )	.....	50
	.....	50
( )	.....	50
( )	.....	52
( )	.....	53
( )	..... 10% .....	54
( )	.....	54
( )	.....	55
	.....	55
	.....	58
	.....	59
	.....	61
<b>陸、財務概況</b>		
	.....	62
( )	.....	62
( )	.....	63
	.....	64
	.....	66
	.....	67
	.....	67
	.....	67
<b>柒、財務狀況及經營結果之檢討分析與風險事項</b>		

.....	68
.....	69
.....	69
.....	71
.....	71
.....	72
( )	72
.....	72
( )	72
.....	73
( )	73
.....	73
( )	74
( )	74
( )	74
( )	74
( )	74
( )	74
( )	75
( )	75
( )	75
( )	76
.....	76

**捌、特別記載事項**

.....	77
( )	77
( )	79
( )	79
.....	82
.....	82
.....	82

# 壹、致股東報告書

97			372	9,881		96	387	392
	3.6%			82	2,635		96	100
5,563		18.2%			10.86			
IC		45						

						85	2,727
96	1.0%			5	2,600		96
49.4%							

98

32

IC

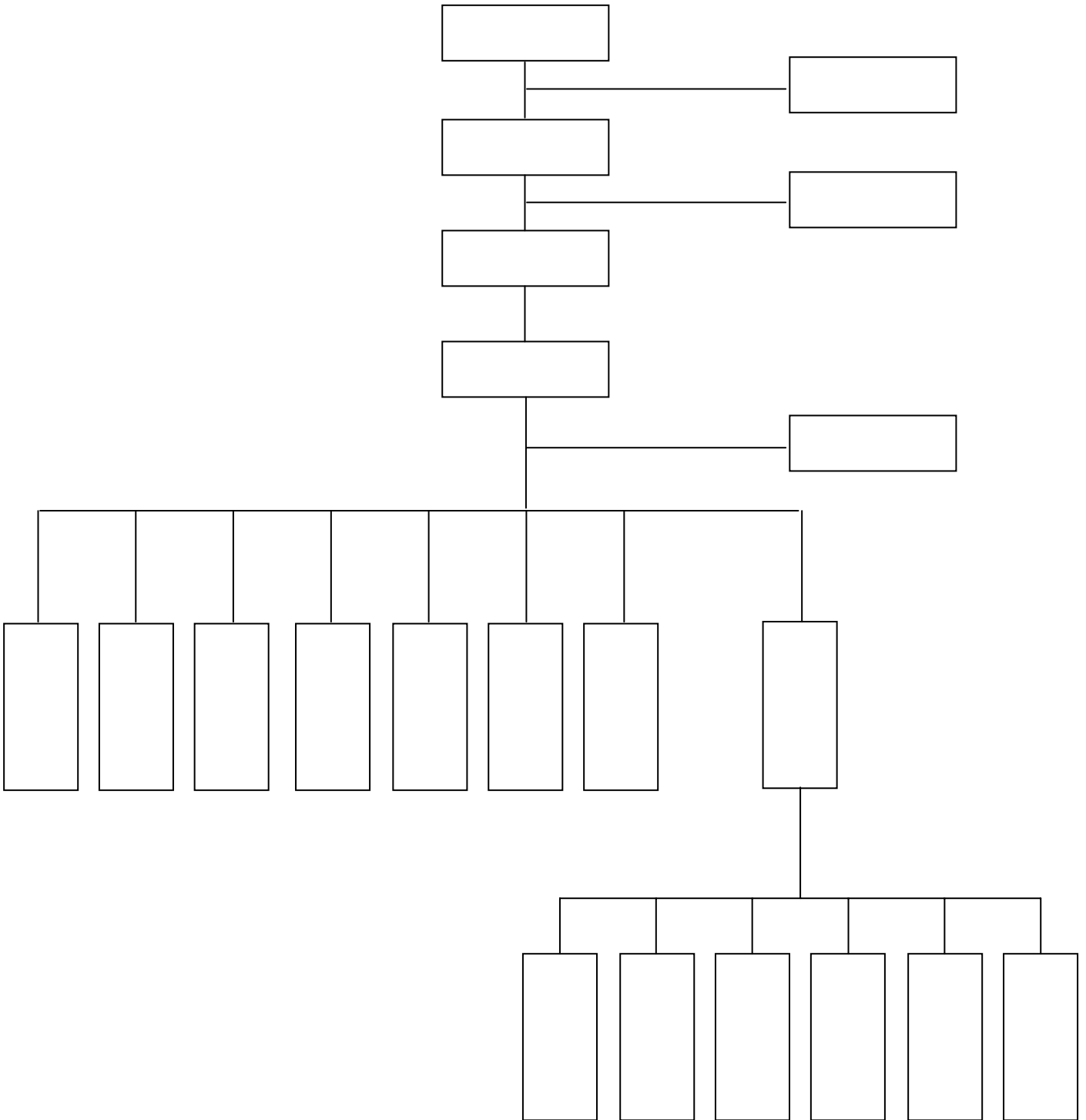
## 貳、公司簡介

				74
86	8	( )		99.99%
	10			
87	3			
88	7		30	
	8	( )		
89	8	( )		
	9			60
90	8			15
	10			
91	4			

		tWA+	tWA-1
	6	( )	
92	1		30
	9		70
93	10		60
	12		90
94	6		120
	9		22
	10		
		HDI	30
95	4		
	4		
	7		
		tWA+      tWAA-	
		tWA-1	
96	4		160
	6		
		tWAA-	tWA-1
		tWA-1+	
97	11		
		tWAA-	tWA-1+
82	2	ISO-9001	
85	8	ISO-14001	
87	12	UL-QS-9000	
90	2	CHSAS-18001	
91	3	TL-9000	
92	10	Green Product/RoHS	
93	11	TS-16949	

# 參、公司治理報告

( )



( )

	MS
	( )
	UL
	FC BGA CSP IC (HDI ) FC FC FC

( )

( 1)				( 2)						
	( )	97. 06. 24		86. 10. 14	411, 895, 587	66. 63	411, 895, 587	66. 63	-	-
	( )	97. 06. 24		86. 10. 14	411, 895, 587	66. 63	411, 895, 587	66. 63	-	-
	( )	97. 06. 24		86. 10. 14	411, 895, 587	66. 63	411, 895, 587	66. 63	-	-
	( )	97. 06. 24		86. 10. 14	411, 895, 587	66. 63	411, 895, 587	66. 63	-	-
		97. 06. 24		86. 10. 14	659, 473	0. 11	659, 473	0. 11	403, 236	0. 07
		97. 06. 24		90. 06. 18	85, 304	0. 01	70, 304	0. 01	566	-
		97. 06. 24		94. 06. 15	-	-	-	-	-	-
		97. 06. 24		94. 06. 15	-	-	-	-	-	-
		97. 06. 24		94. 06. 15	-	-	-	-	-	-
	( )	97. 06. 24		94. 06. 15	2, 636, 481	0. 43	2, 636, 481	0. 43	-	-
		97. 06. 24		97. 06. 24	10, 000	-	10, 000	-	-	-
		97. 06. 24		97. 06. 24	10, 000	-	-	-	-	-

1

2

3

4

5

6

0. 01%

-

97 12 1

( )

% 98 4 25

		( ) ( 3)			
-	-				
-	-				
-	-				
-	-				
-	-				
-	-				
-	-				
-	-		-		
-	-		-		
-	-		-		
-	-				
-	-				
-	-		-		

1  
2  
3

4  
5

0.01%

-

1.

98 4 25

( 1 )	( 2 )
	(9.87%)
	(8.38%) (5.46%)
	(5.21%) (5.13%)
	(3.99%) (2.39%)
	(2.26%)
(1.86%)	
(1.20%)	
	(100%)

1

10%

2

( )

2

98 4 25

( 1 )	( 2 )
	(7.65%)
	(7.07%)
	(6.26%)
(4.63%)	(4.16%) (3.99%)
)	(3.05%) (2.91%)
	(2.07%)
	(1.38%)
	(18.58%) (6.75%)
	(6.35%) (6.30%)
(3.39%)	(3.80%) (2.40%)
	(1.63%)
	(1.25%)
	(1.18%)
	(29.31%)
	(24.90%)
(23.84%)	(4.60%)
	(3.83%)
	(0.69%)
	(0.57%)
	(0.51%)
	(0.50%)
	(0.48%)
	(37.78%)
	(6.23%) (3.00%)
	(1.28%) (0.54%)
	(0.51%)
ABP	(0.48%) 50
(0.48%)	(0.47%)
	(0.44%)

3.

1				2										
				1	2	3	4	5	6	7	8	9	10	
			✓			✓	✓			✓	✓	✓		-
			✓			✓				✓		✓		-
			✓			✓	✓			✓	✓	✓		-
			✓			✓	✓			✓	✓	✓		-
			✓			✓		✓	✓	✓		✓	✓	-
			✓			✓	✓	✓	✓	✓	✓	✓	✓	-
			✓	✓	✓	✓	✓	✓	✓	✓	✓	✓	✓	-
( )			✓	✓	✓	✓	✓	✓	✓	✓	✓	✓	✓	-
			✓			✓	✓	✓		✓	✓	✓	✓	-
			✓	✓	✓	✓	✓	✓	✓	✓	✓	✓	✓	-

1

2

" ✓

1

2

(

)

3

4

5

6

7

8

9

10

30

27

3

4

97 12 1

( )

( 1)								
		87. 03. 01	659, 473	0. 11	403, 236	0. 07	-	-
		89. 05. 23	70, 304	0. 01	566	-	-	-
		96. 06. 21	16, 186	-	655	-	-	-
		92. 04. 07	-	-	-	-	-	-
		87. 04. 01	5, 881	-	-	-	-	-

1

2

3

0. 01%

-

( )

1.

										A	B	C	D
		( A )		( B )		( C )		( D ) ( 4 )		( 11 )			
		( 2 )	( 8 )	( 8 )	( 8 )	( 8 )	( 8 )	( 8 )	( 8 )	( 8 )	( 8 )	( 8 )	
( )		3, 800	3, 800	0	0	0	0	380	380	0. 063	0. 063		
( )													
( )													
( )													
( )													
( )													

( )

% 98 4 25

( )				
	( ) ( )	-	-	-
	-	-	-	-
	( )	-	-	-
		-	-	-
	-	-	-	-

1

2

3

0.01%

-

( )

1.

% 97 12 31

										A	B	C	D	( 12)
										E	F	G		
(E)( 5)		(F)( 13)		( 6) (G)				(H)( 4)		( 11)				
	( 8)		( 8)	( 8)					( 8)		( 8)			
9,372	9,372	60	60	11	0	11	0	0	0	0.205	0.205			

	(A+B+C+D)		(A+B+C+D+E+F+G)	
	( 9)	( 10) I	( 9)	( 10) I
2,000,000				
2,000,000 ( ) 5,000,000	0	0		
5,000,000 ( ) 10,000,000	0	0	0	0
10,000,000	0	0	0	0
	11	11	11	11

- 1 ( )
- 2 ( )
- 3
- 4 ( )
- 5
- 6
- 7 ( )
- 8 ( )
- 9
- 10 ( )
- 11
- 12 a.  
b.
- I J
- c.
- 13 97 0 60
- 14 97 6 24
- a.  
b.  
c.
- 15

										A	B	C	D
		(A) ( 2)		(B)		(C) ( 3)		(D) ( 4)		( 8)			
			( 5)		( 5)		( 5)		( 5)		( 5)	( 9)	
( )													
( )		1,000	1,000	0	0	0	0	120	120	0.017	0.017		
( )													
( )													

			(A+B+C+D)	
			( 6)	( 7) E
	2,000,000			
2,000,000 ( )	5,000,000	0	0	
5,000,000 ( )	10,000,000	0	0	
10,000,000		0	0	
		5	5	

1 ( )

2 ( )

3 )

4 ( )

5 ( )

6 ( )

8  
9 a.  
b.

E

c.

10 97 6 24

a.  
b.

11 12 1

3.

% 97 12 31

		(A) ( 2)		(B) ( 11)		(C) ( 3)		(D) ( 4)				A	B	C	D	( 5)	( 6)	( 10)
												(%) ( 9)	( 5)					
		( 6)	( 6)	( 6)	( 6)	( 5)	( 6)	( 6)										
		9,372	9,372	60	60	0	0	11	0	11	0	0.142	0.142	0	0			

	( 7)		( 8) E
	2,000,000	0	0
2,000,000 ( ) 5,000,000			
5,000,000 ( ) 10,000,000	0	0	
10,000,000	0	0	
	2	5	

1

2

3

4

( )

5

)

(

6

( )

7

8

( )

9

10 a.

b.

E

c.

11 97

0

60

12

4.

97 12 31

	( 1)	( 1)				(%)
			0	20	20	0.0003

)

(

1  
2

1  
2  
3

4  
5  
6

3

4

( )

1.

%

/	96	97
	0.192	0.204
	0.039	0.017
	0.107	0.141

2

( )

5

	( 1)			(% ( 2)	(970624 )
	( )	5	-	100	
	( )	3	-	60	
	( )	3	-	60	
		5	-	100	
		5	-	100	
		5	-	100	
		2	-	100	( 3)
		2	-	100	( 3)
	( )	3	-	100	( 3)
		3	-	100	( 3)
		2	1	67	( 3)

14 3

( ) 97  
( )

3

( )

1

2 (1)

(%)

(2)

(%)

3

97 6 24

(1)

(2)

(3)

( )

5

	( 1 )			(% ( 2 )	(970624 )
	( )	5	-	100	
		2	-	100	( 3 )
		2	-	100	( 3 )
		2	-	67	( 3 )
		1	-	50	( 3 )

( )

( )

1.

2

1

2 (1)

(%)

(2)

(%)

3

97 6 24

(1)

(2)

97

12 1

( )

( )		13
( )	5%	19
( )	10%	
( )	1.	14-18
	2.	
	3.	
( )	97	24
( )		
		51 52
( )		

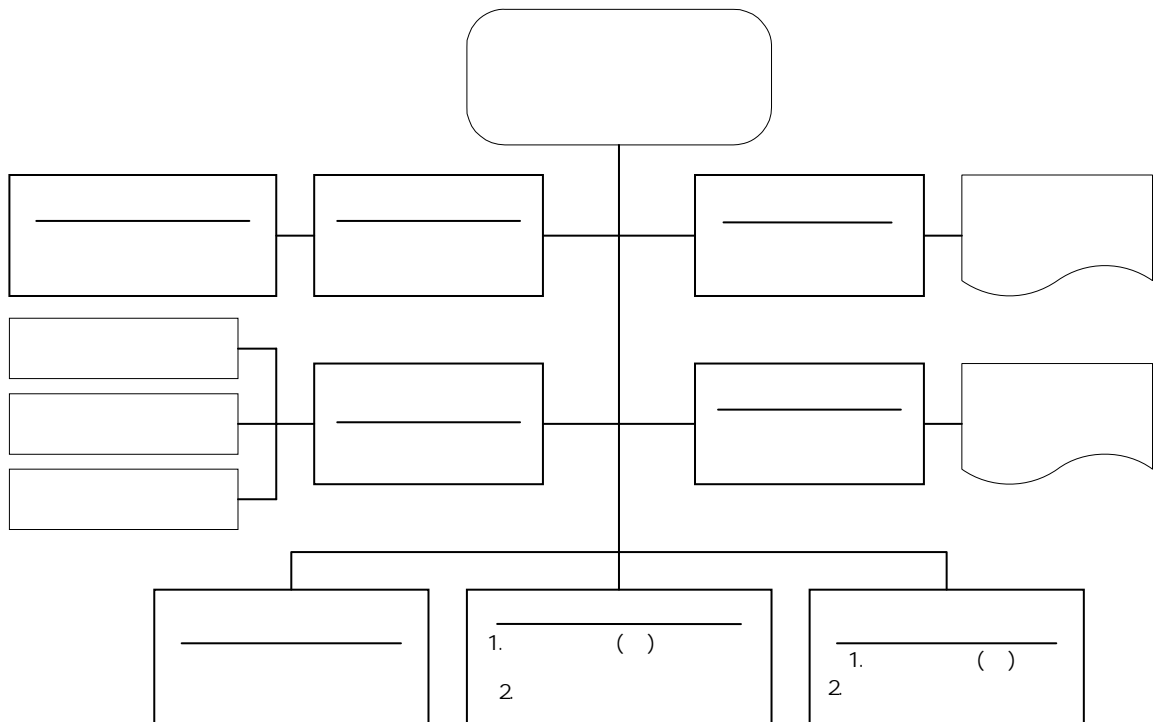
( )	www.nanyapcb.com.tw	
		27 28

--	--	--

( )					
( )					
		97. 11. 11			3
		97. 08. 26			3
		97. 08. 26			3
		97. 12. 24			3
		97. 11. 11			3
		97. 11. 11			3
		97. 11. 11			3
		97. 11. 11			3
		97. 11. 11			3
		97. 11. 11			3
		97. 11. 11			3
		97. 11. 11			3
		97. 11. 11			3
( )					


( )  
 1.  
 (1)

( )<sup>94</sup>



1. ...

97 25 2 2,764.8  
3,193

1.

1		
2		
3		
4		IE

2 97

		COe
25	2,764.8	3,193

(2)

A.

pH 96 96

B.

C.

(3)

A.

B.

a.

96

b.

c.

d.

C.

a.

b.

OOD

D.

a.

b.

c.

d.

E.

a.

b.

c.

d.

(4)

A.

( )

( )

B.

a.

b.

c.

C.

a.

b.

2

(1)

1976

(2)  
1960

( )

(3)

A.

4,000

B.

3

921

C.

921

42

D.

400

E.

57 8

75

F.

40

G

H

I.

J.

K.

L.

M

97

33 4

(4)

( )

( )

0930005101  
0930028186

93	10	28
93	11	11

( )

( )



( )

1.

97 01 01 97 12 31

98 03 26

(

1.

2.

3.

4.

5.

98 03 26

8

2

( )

( )

1.97 6 24

96

2.97 3 24 97 1

96

96

97

6 24 97

97 1 11

0960074345

6 14

9

2  
3

)

(

96

96

6,960 144

97

12 20

97 3 23

8 5,000

85

97 3 28

96

10

3.97 5 8 97 2

97 2 26

0970007362

97

3 12

0970018564

97 3 24

3 24

97 4 25  
7 9,000  
79

97 5 9

97

10

3. 97 6 24 97 3

96

4. 97 8 22 97 4

97

6 25 97 8 21

97

5 3,000 10  
53 97 8 26

5. 97 12 23 97 5

98 16 19

97 11

98

8 22

97 12 22

1 2,000

12

97 12

97

10

25

6. 98 03 26 98 1

97

97  
97 66 4,721  
184  
16

97 1  
2,241 1,280

98

6 23 98

98 1 15

0980000271

98 1 15

0980000271

?

97 12 23

98  
40  
70

19

97

97

3, 770 8, 714

20

( )

( )

( )

						2			1			
			1,250	0	0	0	620	620	V	-	-	1. 150 2. 175 3. 120 4. 130 5. 10 5 20

						2				
-	-	-	-	-	-	-	-	-	-	-

1

2

25%

( )

( )

( )

	97. 06. 10		
		V	
	( )		
		V	
( )	1.		
	2.		
	3.		
	4.		

( )

	97. 06. 10

( )

( )

( 1)		97		98	4 25
		( )	( )	( )	( )
		-	-	-	-
		-	-	-	-
( )		-	-	-	-
( )		-	-	-	-
( )		-	-	-	-
		21,000	-	-	-
		58,000	-	(57,000)	-
		-	-	-	-
		-	-	-	-
		-	-	-	-
		-	-	-	-
( )		-	-	-	-
		-	-	-	-
( 3)		-	-	-	-
		18,000	-	-	-
		-	-	-	-
		21,000	-	(18,000)	-

1  
2  
3

97 12 1

( )

( )

% 98 4 25

1							3		
							( )		
	411,895,587	66.63%	-	-	-	-		100%	-
	16,869,409	2.73%	-	-	-	-	-	-	-
	11,458,000	1.85%	-	-	-	-	-	-	-
	7,881,000	1.27%	-	-	-	-	-	-	-
	4,967,816	0.80%	-	-	-	-	-	-	-
	4,252,000	0.69%	-	-	-	-	-	-	-
	3,592,312	0.58%	-	-	-	-	-	-	-
	3,040,001	0.49%	-	-	-	-	-	-	-
	2,699,000	0.44%	-	-	-	-	-	-	-
	2,636,481	0.43%	-	-	-	-		100%	-

1

2

3

% 96 12 31

( 1)						
( )	966, 419, 999	99. 99	1	-	966, 420, 000	100
( )	-	-	-	100	-	100
( )	1, 000, 000	100	-	-	1, 000, 000	100

1

## 肆、募集情形

( ) ( 98 4 25 )

86.10	10	200,000,000	2,000,000,000	050,000,000	0,500,000,000		-	1
87.04	10	200,000,000	2,000,000,000	200,000,000	2,000,000,000		-	2
88.05	20	500,000,000	5,000,000,000	300,000,000	3,000,000,000		-	3
89.08	10	500,000,000	5,000,000,000	351,000,000	3,510,000,000		-	4
89.09	40	500,000,000	5,000,000,000	400,000,000	4,000,000,000		-	5
90.08	10	500,000,000	5,000,000,000	464,000,000	4,640,000,000		-	6
91.09	10	500,000,000	5,000,000,000	482,560,000	4,825,600,000		-	7
93.10	10	504,825,600	5,048,256,000	487,385,600	4,873,856,000		-	8
94.10	10	621,700,000	6,217,000,000	516,628,736	5,166,287,360		-	9
95.01	27.3	621,700,000	6,217,000,000	519,924,736	5,199,247,360		-	10
95.04	250	621,700,000	6,217,000,000	599,924,736	5,999,247,360		-	11
95.04	27.3	621,700,000	6,217,000,000	600,305,736	6,003,057,360		-	12
95.07	27.3	621,700,000	6,217,000,000	600,318,736	6,003,187,360		-	13
96.02	21.3	621,700,000	6,217,000,000	601,448,736	6,014,487,360		-	14
96.04	21.3	621,700,000	6,217,000,000	601,508,736	6,015,087,360		-	15
96.07	21.3	621,700,000	6,217,000,000	601,518,736	6,015,187,360		-	16
96.09	21.3	621,700,000	6,217,000,000	601,525,736	6,015,257,360		-	17
96.10	10	700,000,000	7,000,000,000	617,163,403	6,171,634,030		-	18
97.01	10	700,000,000	7,000,000,000	617,928,403	6,179,284,030		-	19
97.04	10	700,000,000	7,000,000,000	618,013,403	6,180,134,030		-	20
97.05	10	700,000,000	7,000,000,000	618,092,403	6,180,924,030		-	21
97.09	10	700,000,000	7,000,000,000	618,145,403	6,181,454,030		-	22
98.01	10	700,000,000	7,000,000,000	618,157,403	6,181,574,030		-	23

1 86 10 500,000,000

2 87 3 5 (87) ( ) 22608

3 88 3 19 (88) ( ) 27431

4 0960015115

5 89 7 7 (89) ( ) 58814

6 90 7 29 (90) 146720

7 91 8 6 0910143096

8 93 8 5 0930134967  
 9 94 8 12 0940133208  
 10 92 6 25 0920127845  
 11 95 3 1 0950106446  
 12-17 92 6 25 0920127845  
 18 96 9 13 0960015115  
 19-23 92 6 25 0920127845

	618, 157, 403	81, 842, 597	700, 000, 000	

( ) 98 4 25

	-	10	174	25, 307	222	25, 713
	-	6, 901, 687	473, 709, 320	74, 182, 013	63, 364, 383	618, 157, 403
(%)	-	1.12%	76.63%	12.00%	10.25%	100.00%

( )

1.

10 98 4 25

				(%)
1	999	6, 261	570, 319	0.09
1, 000	5, 000	16, 240	29, 695, 624	4.80
5, 001	10, 000	1, 806	12, 940, 062	2.09
10, 001	15, 000	507	6, 007, 234	0.97
15, 001	20, 000	247	4, 413, 482	0.71
20, 001	30, 000	206	4, 936, 746	0.80
30, 001	50, 000	169	6, 653, 311	1.08
50, 001	100, 000	108	7, 731, 551	1.25
100, 001	200, 000	66	9, 883, 859	1.60
200, 001	400, 000	40	11, 339, 228	1.84
400, 001	600, 000	18	8, 373, 589	1.36
600, 001	800, 000	8	5, 555, 968	0.90
800, 001	1, 000, 000	7	6, 111, 615	0.99
1, 000, 001		30	503, 944, 815	81.52
		25, 713	618, 157, 403	100.00

2

( )

98 4 25

		(%)
	411, 895, 587	66. 63
	16, 869, 409	2. 73
	11, 458, 000	1. 85
	7, 881, 000	1. 27
	4, 967, 816	0. 80
	4, 252, 000	0. 69
	3, 592, 312	0. 58
	3, 040, 001	0. 49
	2, 699, 000	0. 44
	2, 636, 481	0. 43

( )

		96	97	98 3 31
( 1)	/	253	228	95
		180	61. 5	60
		214. 54	137. 91	76. 29
		62. 94	58. 03	58. 55
		62. 94	-	-
		612, 433, 314	611, 961, 894	612, 056, 403
		13. 94	10. 86	-0. 45
		-	-	-
		12. 54	7. 1	-
		-	0. 2	-
		-	-	-
		-	-	-
		15. 10	12. 03	-
		16. 78	18. 40	-
		5. 96	5. 43	-

\*

1  
2

3

4

5

6

7

( 96 210.44 / 97 130.64 / )

8

9

/( + ( )+ ( )  
- )

10

11

12 97

( )

( )

1.

2

7.1

0.2

3.

( )

( )

1.

(1)

5%

( )

(2)

2

	98 3 26			
(1)		7, 048, 044	0	
	0 (			)
(2)		0		0
(3)				
	10. 86			

3.

(1)		1, 996, 112	0	
	3, 367, 000			
(2)		0		0
(3)				13. 93
(4)		96		

( )

( )

( )

( )

98 4 25

	92 6 25
	92 10 31
	6,000
(%)	1.25
	2 50%( )
%	3 75%( )
	4 100%( )
	5,891,000
	58,910,000
	109,000
	10
%	0.02
	0.02%

( )

98 4 25

			( )	(%)								
					( )	( / )	( )	(%)	( )	( / )	( )	(%)
			133	0.02	133	27.3	2,261,400	0.02	-	-	-	-
						21.3						
						10						

( )

1. 95

(1)

95 3

1

095010646

(2)

(3)

20,601,254

(4)

A.

80,000

10

250

20,000,000

B.

601,254

(5)

IC

		95					96				97
	95 07	4,407,555	3,526,044	881,511							
	96 03	3,404,164			2,723,331	680,833					
	97 03	10,881,308					2,176,200	2,720,400	2,992,354	2,992,354	
	96 03	1,908,227		636,076	636,076	636,075					
		20,601,254	3,526,044	1,517,587	3,359,407	1,316,908	2,176,200	2,720,400	2,992,354	2,992,354	

(6)

95 4

14

( )

1.

9801

				%
IC	20,601,254	10,078,669	100	48.92

2

20,601,254

10,078,669

48.92%

## 伍、營運概況

( )

1.

(1) 0001080

(2) 0001090

(3) ZZ999999

2

97 12 31

	( )	
	37, 129, 745	99. 5%
	169, 068	0. 5%
	37, 298, 813	100. 00%

3.

( )

4.

( )

1.

(1)

HDI

(2) IC

IC

2

IC

3.

(1)

(2) IC

IC

( )

1.

(PCB)

(1)

(HDI)

MP3

(2)

(Ri gi d fl ex)

MP3

2 IC

(1)

(Wre Bondi ng VB)

IC

Bondi ng VB

(Fl i p Chi p FC)

Wre

FCCSP

3G

modul e

RF

(2) (Flip Chip FC)

( )  
1.

HDI IC

2

( )  
1.

96 97

		96		97	
			%		%
		7,934,887	20.50	6,715,893	18.00
		25,440,088	65.73	26,995,734	72.38
		3,341,902	8.63	2,289,615	6.14
		1,955,615	5.05	1,284,393	3.44
		31,424	0.08	13,178	0.04
		30,769,029	79.50	30,582,920	82.00
		38,703,916	100.00	37,298,813	100.00

2

98

16.4%

98

IC

3.

4.

(1)

IC

(2)

(3)

5.

(1)

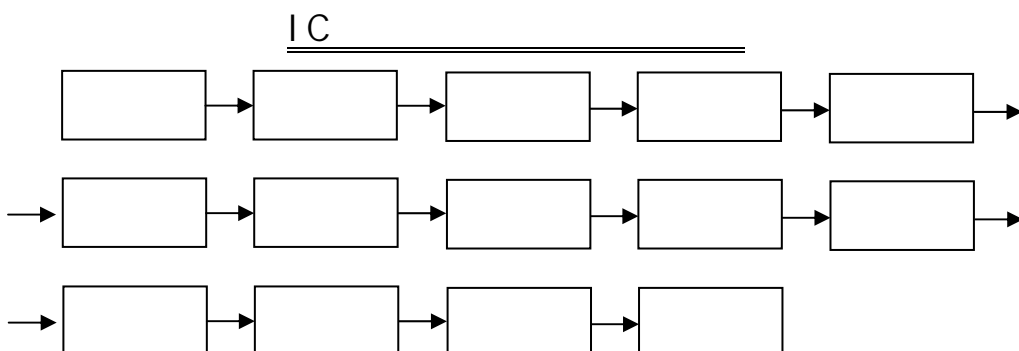
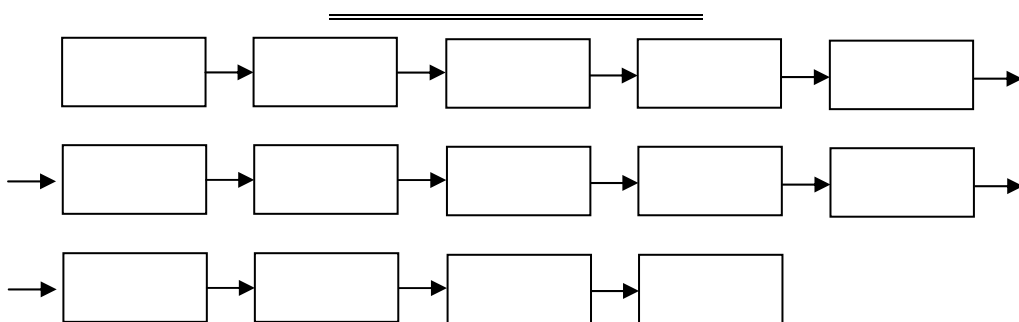
(2)

( )

1.

(PCB)	(Carrier) (Interconnection) :
IC (VBA FC)	IC (Chip) /  CPU RF module  3C 3G

2



( )

1.

2

(1)

(2)

( )

(3)

ERP

e

( )

10%

1.

%

96				97			
	7,099,503	32.41			7,455,759	35.49	

( )

2.

%

96				97			
1	9,464,492	24.45			11,675,341	31.30	
2	5,522,181	14.27			4,469,463	11.98	
3	5,140,998	13.28			3,092,487	8.29	

(1) IC

(2) IC

(3)

( )

96			97			
	11,492	10,904	22,103,579	9,428	8,938	22,492,102
	11,492	10,904	22,103,579	9,428	8,938	22,492,102

( )

	96				97			
	2,051	7,726,694	25,601	30,724,025	2,028	6,546,825	20,405	30,533,673
		208,193		45,004		169,068		49,247
	2,051	7,934,887	25,601	30,769,029	2,028	6,715,893	20,405	30,582,920

( )

( )		96	97	98 3 31
		3,928	3,915	3,815
		2,031	1,963	1,916
		5,959	5,878	5,731
		31.1	32.0	32.3
		6.5	7.3	7.7
(%)		0.05	0.05	0.05
		2.85	3.06	2.98
		10.68	10.92	10.95
		70.97	71.41	72.37
		3.57	3.57	3.66
		11.88	10.99	9.99
		100.00	100.00	100.00

( )

( )

1.

( )

2

3.

4.

IE

( )

1.

2

(1)

( )

(2)

( )

(3)

(4)

( )

1.

2

3.

4.

( )

( )

( )

	97	98 3 31

( )

1.

(1)

(2)

(3) ISO14001

2

	98	99
	(1) (2) (3)	(1) (2) (3)
	(4) VOC	
	(1)	(1)
	(2)	(2)
	15,000	10,000

( )

(RoHS)

RoHS

93

RoHS

...

RoHS

( )

1.

(1)

(2)

(3)

(4)

(5)

(6)

(7)

(8) ( )

(9)

(10)

(11)

2

3.

(1)

A.

B.

C.

(2)

A.

( )

B.

(3)

A.

B.

(4)

A.

B.

C.

4.

5.

(1)

(2)

(3)

6.

( )

	NGK Spark Plug Co., Ltd.	89. 04. 13~99. 04. 12		
	NGK Spark Plug Co., Ltd.	90. 04. 10~102. 10. 01		
	NGK Spark Plug Co., Ltd.	90. 12. 17~100. 12. 17		
	NGK Spark Plug Co., Ltd.	94. 07. 11~104. 07. 10		
	Advanced Micro Devices, Inc.	97. 01. 18~100. 01. 17		
	ST Microelectronics	97. 02. 25~		
	Forchic Technology	97. 09. 30- 98. 10. 01		

## 陸、財務概況

( )

		( 1)					
		93	94	95	96	97	98 3 31
		7, 575, 969	10, 090, 926	29, 336, 134	25, 760, 741	22, 155, 353	22, 505, 597
		1, 561, 799	2, 346, 911	8, 044, 190	9, 154, 347	8, 485, 920	8, 995, 420
		5, 741, 543	8, 135, 822	10, 362, 128	9, 735, 812	9, 177, 087	8, 741, 730
		54, 450	44, 491	34, 532	24, 573	74, 924	71, 363
		749, 322	95, 532	2, 932	1, 682	1, 662	2, 432
		15, 683, 083	20, 713, 682	47, 779, 916	44, 677, 155	39, 894, 946	40, 316, 542
		3, 669, 348	5, 646, 488	6, 375, 154	4, 929, 311	2, 991, 537	3, 107, 171
		4, 012, 395	9, 255, 051	15, 437, 026	12, 606, 990	2	2
		2, 144, 000	1, 088, 000	0	0	0	0
		619, 839	856, 824	988, 060	1, 238, 374	1, 388, 798	1, 372, 635
		6, 433, 187	7, 591, 312	7, 363, 214	6, 167, 685	4, 380, 335	4, 479, 806
		6, 776, 234	11, 199, 875	16, 425, 086	13, 845, 364	2	2
		4, 873, 856	5, 166, 287	6, 014, 487	6, 179, 284	6, 181, 574	6, 181, 574
		2, 470, 070	2, 470, 123	21, 746, 729	21, 752, 215	21, 752, 215	21, 752, 215
		2, 008, 519	5, 378, 782	12, 010, 538	11, 326, 833	10, 296, 364	10, 018, 301
		1, 373, 040	1, 770, 219	2, 948, 666	3, 649, 154	2	2
		-	-	681, 553	555, 072	(1, 525, 237)	(1, 133, 120)
		(102, 549)	17, 197	(36, 605)	(61, 716)	51, 913	259, 984
		0	0	0	(1, 242, 218)	(1, 242, 218)	(1, 242, 218)
		9, 249, 896	13, 122, 370	40, 416, 702	38, 509, 470	35, 514, 611	35, 836, 736
		8, 906, 849	9, 513, 807	31, 354, 830	30, 831, 791	2	2

1

2 97

3 98 3 31

	( 1 )					
	93	94	95	96	97	98 3 31
	17, 324, 065	24, 170, 384	36, 448, 592	38, 703, 916	37, 298, 813	4, 440, 972
	1, 521, 825	4, 965, 350	11, 735, 202	9, 348, 037	7, 891, 542	( 320, 392)
( )	774, 522	3, 880, 430	10, 571, 570	7, 938, 076	6, 591, 076	( 531, 717)
	251, 274	612, 469	1, 330, 656	2, 233, 185	1, 684, 314	228, 826
	308, 866	72, 804	92, 025	115, 627	49, 038	89, 670
	716, 930	4, 420, 095	11, 810, 201	10, 055, 634	8, 226, 352	( 392, 561)
	624, 646	4, 005, 741	10, 240, 319	8, 534, 544	6, 647, 210	( 278, 063)
	-	-	-	-	-	-
	-	-	-	-	-	-
	-	-	-	-	-	-
	624, 646	4, 005, 741	10, 240, 319	8, 534, 544	6, 647, 210	( 278, 063)
( )	1. 28	7. 75	17. 21	13. 94	10. 86	( 0. 45)

1

2 98 3 31

( )

93				
94				
95				
96				
97				

		( 1 )						
		93	94	95	96	97	98 3 31	
	(%)	41.02	36.65	15.41	13.81	10.98	11.11	
	(%)	198.45	174.66	390.04	395.54	386.99	409.95	
	(%)	206.47	178.71	460.16	522.15	740.60	724.31	
	(%)	144.82	132.58	419.52	461.89	659.90	720.16	
	( )	9	73	156	99	3,432	-392,560	
	( )	4.50	4.63	5.12	4.46	4.82	3.60	
		81	79	71	82	76	101	
	( )	7.57	9.79	10.93	10.72	11.22	8.86	
	( )	10.43	8.30	8.24	10.68	16.46	15.50	
		48	37	33	34	33	41.20	
	( )	3.02	2.97	3.52	3.98	4.06	2.03	
	( )	1.10	1.17	0.76	0.87	0.93	0.44	
	(%)	4.51	22.27	30.07	18.63	15.72	-0.69	
	(%)	6.93	35.81	38.25	21.63	17.96	-0.78	
	(%)		15.89	75.11	175.77	128.46	106.62	-8.60
			14.71	85.56	196.36	162.73	133.08	-6.35
	(%)	3.61	16.57	28.10	22.05	17.82	-6.26	
	( )	1.08	6.91	17.21	13.94	10.86	-0.45	
(%)		59.25	93.87	184.51	165.16	368.26	101.48	
		72.59	93.01	117.22	105.70	108.77	105.39	
		11.06	21.44	16.05	-1.77	6.59	6.34	
		8.21	3.08	1.96	2.90	3.45	-5.77	
		1.13	1.02	1.01	1.01	1.00	1.00	
2	(	20%						)
1.97	%							
2.97		%	1/4					
3.97								
4.97		%						
5.97								
6.97		%						

( )

1.

(1)

= /

$$(2) \quad = ( \quad + \quad ) /$$

2

$$(1) \quad = \quad /$$

$$(2) \quad = ( \quad - \quad - \quad ) /$$

$$(3) \quad = \quad /$$

3.

$$(1) \quad ( \quad )$$

$$= \quad / \quad ($$

)

$$(2) \quad = 365 /$$

$$(3) \quad = \quad /$$

$$(4) \quad ( \quad )$$

$$= \quad / \quad ($$

)

$$(5) \quad = 365 /$$

$$(6) \quad = \quad /$$

$$(7) \quad = \quad /$$

4.

$$(1) \quad = \quad + \quad \times (1 \quad ) /$$

$$(2) \quad = \quad /$$

$$(3) \quad = \quad /$$

$$(4) \quad = ( \quad - \quad ) /$$

5.

$$(1) \quad = \quad /$$

$$(2) \quad = \quad /$$

$$( \quad + \quad + \quad )$$

$$(3) \quad = ( \quad - \quad ) / ($$

$$+ \quad + \quad + \quad )$$

6.

$$(1) \quad = ( \quad - \quad ) /$$

$$(2) \quad = \quad / ( \quad - \quad )$$



( 83~122 )

( 123~168 )

## 柒、財務狀況及經營結果之檢討分析與風險事項

( 20%

1,000 )

	96	97		
				%
	25,760,741	22,155,353	(3,605,388)	(14.00)
	9,154,347	8,485,920	(668,427)	(7.30)
	9,735,812	9,177,087	(558,725)	(5.74)
	24,573	74,924	50,351	204.90
	1,682	1,662	(20)	(1.19)
	44,677,155	39,894,946	(4,782,209)	(10.70)
	4,929,311	2,991,537	(1,937,774)	(39.31)
	0	0	-	-
	1,238,374	1,388,798	150,424	12.15
	6,167,685	4,380,335	(1,787,350)	(28.98)
	6,179,284	6,181,574	2,290	0.04
	21,752,215	21,752,215	-	-
	11,326,833	10,296,364	(1,030,469)	(9.10)
	38,509,470	35,514,611	(2,994,859)	(7.78)

1. 50,351

2. 1,937,774

1,468,388

	96	97	( )	(%)
	39,206,992	37,900,361	(1,306,631)	(3.33)
	503,076	601,548	98,472	19.57
	38,703,916	37,298,813	(1,405,103)	(3.63)
	29,355,879	29,407,271	51,392	0.18
	9,348,037	7,891,542	(1,456,495)	(15.58)
	1,409,961	1,300,466	(109,495)	(7.77)
	7,938,076	6,591,076	(1,347,000)	(16.97)
	2,233,185	1,684,314	(548,871)	(24.58)
	115,627	49,038	(66,589)	(57.59)
	10,055,634	8,226,352	(1,829,282)	(18.19)
( )	(1,521,090)	(1,579,142)	(58,052)	3.82
	8,534,544	6,647,210	(1,887,334)	(22.11)

( 20% )  
20%

1.

2

( ) 97

(1)	(2)	(3)	( ) (1)+(2)-(3)		
5,107,064	11,016,519	7,425,951	8,697,632	-	-

1.

11,016,519

2

265,163

7,690,233

881

( )

1.

2

	96	97	( ) (%)
	165.16	368.26	122.97
	105.70	108.77	2.90
	(1.77)	6.59	472.32

20%

(1) 122.97%

2,875,418

(2) 472.32% 96

97

(

(1)	(2)	(3)	( ) (1)+(2)-(3)		
8,697,632	8,482,194	8,431,719	8,748,107	-	-

1.

98

2

( )

98 3 31

					95 ( )	96 ( )	97 ( )	98 (01 + 02-04 )
( )		95. 12	4, 407, 555	4, 919, 697	4, 545, 131	126, 630	247, 936	
( )		97. 06	3, 404, 164	3, 587, 884	1, 142, 865	1, 364, 297	1, 074, 653	6, 069
( )		98. 12	1, 908, 227	1, 571, 088	438, 768	528, 388	443, 307	497, 764

( )

		( ) ( )	( ) ( )	( )	( )
98		953	953	5, 549, 950	1, 312, 786

( )

	( )				
( ) ( 1)	803, 696		511, 411	97	-
Anti g Technol ogy Corporati on	-		32, 864		Anti g Technol ogy Corporati on -
1	( )		( )		

( )

( )

1.

2

(1)

(2)

(3)

3.

97

3.53%

( )

1.

2

15

3.

4.

( )

2%

( )

1.

97

12

25

0970068986

97

12

25

2008

2

29

10

98

96

11

(1)

98

( )

(2)

(3)

( )

( )

( )

( )

( )

1.

30%

2

31.3%

( )

( )

( )

1. ( ) 95 2  
 17 97 8  
 13  
 98 3 12

2 ( )  
 97 152 )  
 12 2 97

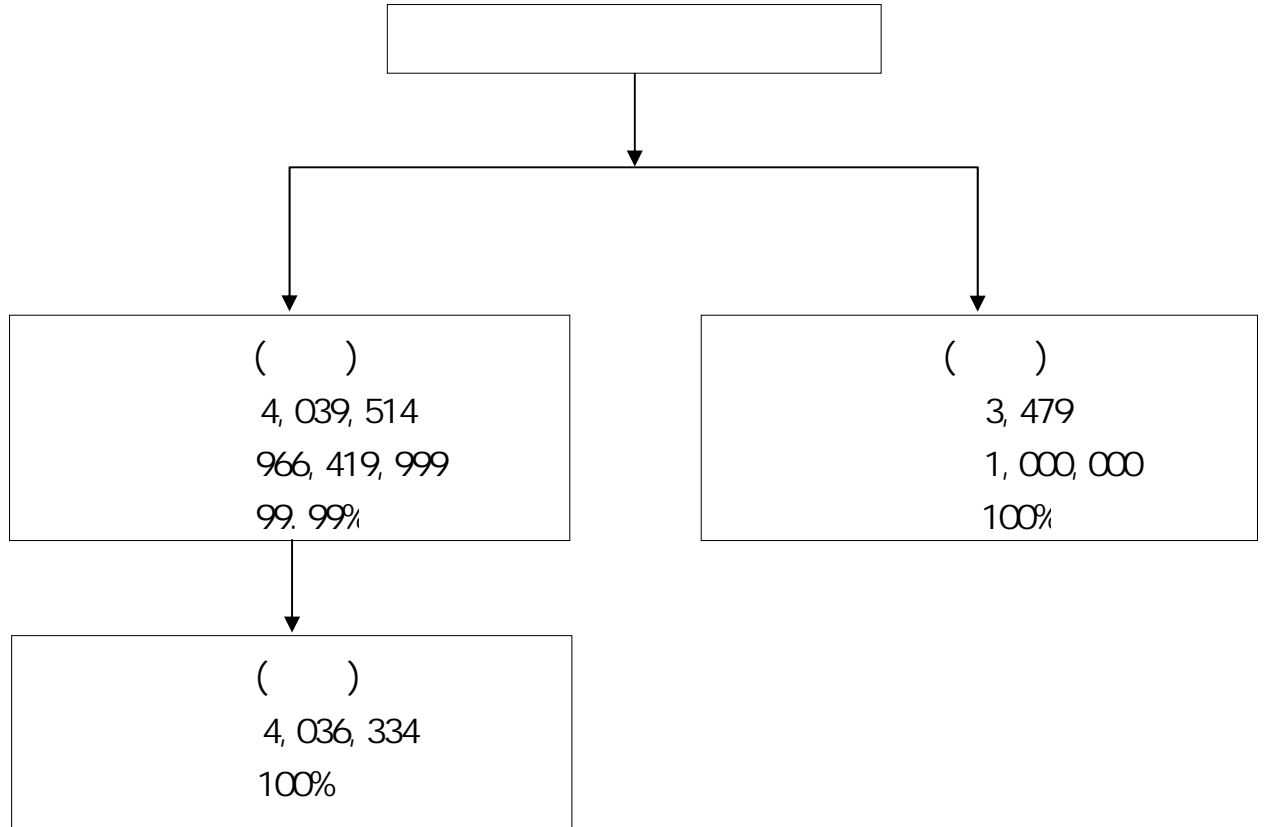
( )

( )

## 捌、特別記載事項

( )

1.



1  
2

( 97 12 31 )

2

			( )	
( )	88.08.04	18 7	HKD 966,420	
( )	89.08.07	201	USD 123,800	
( )	91.06.13	401 West Baseline Road Suite #203 Tempe, AZ 85283 USA	USD 100	

97 12 31

3.

4.

5.

	( 1 )		%	
			( 2 )	( 3 )
( )			1	-
( )		( )	966, 419, 999	99. 99
( )		( )	123, 800	100. 00
		( )		
		( )		
		( )		
		( )		
		( )		
( )		( )	1, 000, 000	100. 00

1

2

97 12 31

3

6.

( )	3, 479	4, 637	105	4, 532	19, 199	721	( )	( )
( )	4, 039, 514	11, 407, 461	4, 949, 869	6, 457, 592	8, 524, 880	618, 801	548, 607	0. 57
( )	4, 036, 334	11, 398, 082	4, 941, 982	6, 456, 100	8, 527, 269	619, 180	511, 411	-

1

	(1)		1 4. 8076		1 4. 5373
	(2)		1 32. 860		1 31. 534
	(3)		1 4. 2399		1 4. 0501
2		( )		( )	
		( )			( )

( )

123~168

( )

1.



3.

				97	12	31		%
			411, 895, 587				66. 63%	

4.

(1)

								( )						%
( )		( )		( )		( )			( )					
	2, 009, 164	9. 56			15			(86, 016)	(8. 18)					

(2)

(3)

( )								( )					
	1, 000, 000	51, 300	1. 907%~ 2. 800%	16, 091									

(4)

( )								( )					
		338	97. 1. 1~ 97. 12. 31						144, 929				

(5)



201 36 3

(02) 2712-2211



## 會計師查核報告

南亞電路板股份有限公司董事會 公鑒：

南亞電路板股份有限公司民國九十七年及九十六年十二月三十一日之資產負債表，暨截至各該日止之民國九十七年度及九十六年度之損益表、股東權益變動表及現金流量表，業經本會計師查核竣事。上開財務報表之編製係管理階層之責任，本會計師之責任則為根據查核結果對上開財務報表表示意見。南亞電路板股份有限公司採權益法評價之長期股權投資中，有關台塑石化股份有限公司之財務報表未經本會計師查核，而係由其他會計師查核，因此本會計師對上開財務報表所表示之意見中，有關台塑石化股份有限公司財務報表所列之金額，係依據其他會計師之查核報告。民國九十七年及九十六年十二月三十一日對台塑石化股份有限公司認列之長期股權投資金額分別為655,514千元及714,342千元，分別占資產總額之1.64%及1.60%，民國九十七年度及九十六年度所認列之投資收益分別為18,959千元及86,999千元，分別占稅前淨利之0.23%及0.87%。

本會計師係依照會計師查核簽證財務報表規則及一般公認審計準則規劃並執行查核工作，以合理確信財務報表有無重大不實表達。此項查核工作包括以抽查方式獲取財務報表所列金額及所揭露事項之查核證據、評估管理階層編製財務報表所採用之會計原則及所作之重大會計估計，暨評估財務報表整體之表達。本會計師相信此項查核工作及其他會計師之查核報告可對所表示之意見提供合理之依據。

依本會計師之意見，基於本會計師之查核結果及其他會計師之查核報告，第一段所述財務報表在所有重大方面係依照證券發行人財務報告編製準則、商業會計法及商業會計處理準則中與財務會計準則相關之規定及一般公認會計原則編製，足以允當表達南亞電路板股份有限公司民國九十七年及九十六年十二月三十一日之財務狀況，暨截至各該日止之民國九十七年度及九十六年度之經營成果與現金流量。

南亞電路板股份有限公司民國九十七年度財務報表重要會計科目明細表，主要係供補充分析之用，亦經本會計師採用第二段所述之查核程序予以查核。依本會計師之意見，該等明細表係依據證券發行人財務報告編製準則編製，足以允當表達其與第一段所述財務報表有關之內容。

南亞電路板股份有限公司已編製民國九十七年度及九十六年度之合併財務報表，並經本會計師出具修正式無保留意見之查核報告在案，備供參考。

安 侯 建 業 會 計 師 事 務 所

寇 惠 植

會 計 師：

吳 秋 華

證券主管機關：台財證六字第0930106739號  
核准簽證文號：(88)台財證(六)第18311號  
民國九十八年三月六日

南亞電路板股份有限公司

資產負債表

民國九十七年及九十六年十二月三十一日

單位：新台幣千元

	97.12.31		96.12.31			97.12.31		96.12.31			
	金額	%	金額	%		金額	%	金額	%		
<b>資 產</b>											
<b>流動資產：</b>											
1100	現金及約當現金(附註四(一))	\$ 8,697,632	22	5,107,064	11	2140	應付帳款	\$ 633,579	2	1,717,942	4
1310	公平價值變動列入損益之金融資產－流動 (附註四(二))	-	-	442,074	1	2150	應付帳款－關係人(附註五)	418,329	1	802,354	2
1320	備供出售金融資產－流動(附註四(二))	179,169	-	736,860	2	2170	應付費用(附註四(九))	1,108,176	3	1,554,797	3
1140	應收票據及帳款淨額(附註四(三))	6,004,686	15	9,308,558	21	2280	其他應付款項	776,885	2	789,244	2
1150	應收帳款－關係人淨額(附註五)	49,712	-	99,003	-	2286	其他流動負債	45,220	-	64,974	-
1160	其他應收款(附註五)	149,463	-	134,036	-	21xx	遞延所得稅負債－流動(附註四(十))	9,348	-	-	-
1180	應收關係人往來款(附註五)	4,660,500	12	6,962,500	16		<b>流動負債合計</b>	<u>2,991,537</u>	<u>8</u>	<u>4,929,311</u>	<u>11</u>
1210	存貨(附註四(四))	2,370,535	6	2,871,676	6	2810	<b>其他負債：</b>				
1260	預付款項	43,656	-	84,563	-	2820	應計退休金負債(附註四(九))	731,428	2	702,560	1
1286	遞延所得稅資產－流動(附註四(十))	-	-	14,407	-	2861	存入保證金	7,499	-	22,343	-
11xx	<b>流動資產合計</b>	<u>22,155,353</u>	<u>55</u>	<u>25,760,741</u>	<u>57</u>	2881	遞延所得稅負債－非流動(附註四(十))	465,860	1	318,806	1
	<b>基金及投資：</b>					28xx	遞延貸項－聯屬公司間利益(附註四(五))	184,011	-	194,665	-
1421	採權益法之長期股權投資(附註四(五))	7,117,638	18	5,708,439	13	2xxx	<b>其他負債合計</b>	<u>1,388,798</u>	<u>3</u>	<u>1,238,374</u>	<u>2</u>
1450	備供出售金融資產－非流動(附註四(二))	1,368,282	3	3,413,044	8		<b>負債合計</b>	<u>4,380,335</u>	<u>11</u>	<u>6,167,685</u>	<u>13</u>
1480	以成本衡量之金融資產－非流動(附註四(二))	-	-	32,864	-	3110	<b>股東權益(附註四(十一))：</b>				
	<b>長期投資合計</b>	<u>8,485,920</u>	<u>21</u>	<u>9,154,347</u>	<u>21</u>	3200	普通股股本	6,181,574	15	6,179,284	14
	<b>固定資產(附註四(六)及五)：</b>					3310	資本公積	21,752,215	55	21,752,215	49
	<b>成 本：</b>					3320	法定盈餘公積	2,931,433	7	2,077,979	5
1521	房屋及建築	841,592	2	841,592	2	3351	特別盈餘公積	672,510	2	672,510	2
1531	機器設備	18,280,407	46	16,787,610	38	3420	未分配盈餘	6,692,421	17	8,576,344	19
1551	運輸設備	8,748	-	7,815	-	3450	累積換算調整數	51,913	-	(61,716)	-
1681	其他設備	2,397,215	6	2,281,271	5	3510	金融商品未實現損益	(1,525,237)	(4)	555,072	1
	小計	21,527,962	54	19,918,288	45		庫藏股票	(1,242,218)	(3)	(1,242,218)	(3)
15X9	減：累積折舊	(13,922,329)	(34)	(11,458,106)	(26)		<b>股東權益合計</b>	35,514,611	89	38,509,470	87
1671	未完工程	1,483,857	4	1,170,822	3		<b>重大承諾事項及或有事項(附註七)</b>				
1672	預付設備款	87,597	-	104,808	-						
15xx	<b>固定資產淨額</b>	<u>9,177,087</u>	<u>24</u>	<u>9,735,812</u>	<u>22</u>						
	<b>無形資產：</b>										
1781	專門技術(附註四(七))	74,924	-	24,573	-						
	<b>其他資產：</b>										
1820	存出保證金	1,662	-	1,682	-						
1xxx	<b>資產總計</b>	<u>\$ 39,894,946</u>	<u>100</u>	<u>44,677,155</u>	<u>100</u>	1xxx	<b>負債及股東權益總計</b>	<u>\$ 39,894,946</u>	<u>100</u>	<u>44,677,155</u>	<u>100</u>

(請詳閱後附財務報表附註)

董事長：吳欽仁

經理人：張家鈞

會計主管：黃文惠

南亞電路板股份有限公司

損益表

民國九十七年及九十六年一月一日至十二月三十一日

單位：新台幣千元

	97年度		96年度	
	金額	%	金額	%
4110 銷貨收入(附註五)	\$ 37,731,293	101	38,998,799	101
4170 減：銷貨退回及折讓	(601,548)	(2)	(503,076)	(1)
4100 銷貨收入淨額	37,129,745	99	38,495,723	100
4800 其他營業收入	169,068	1	208,193	-
4000 營業收入淨額	37,298,813	100	38,703,916	100
5000 營業成本(附註四(七)及五)	(29,407,217)	(79)	(29,364,347)	(76)
5910 營業毛利	7,891,596	21	9,339,569	24
5920 減：聯屬公司間未實現利益(附註四(五))	(2,406)	-	(2,023)	-
5930 加：聯屬公司間已實現利益(附註四(五))	2,352	-	10,491	-
營業毛利淨額	7,891,542	21	9,348,037	24
營業費用(附註五)：				
6100 推銷費用	(508,395)	(1)	(593,468)	(2)
6200 管理費用	(792,071)	(2)	(816,493)	(2)
6000 營業費用合計	(1,300,466)	(3)	(1,409,961)	(4)
6900 營業淨利	6,591,076	18	7,938,076	20
營業外收入及利益：				
7110 利息收入(附註五)	318,387	1	407,208	1
7121 權益法認列之投資收益(附註四(五))	568,135	2	1,053,749	3
7122 股利收入	144,032	-	247,291	1
7130 處分固定資產利益(附註四(五)及五)	23,153	-	25,881	-
7140 處分投資利益	12,678	-	66,654	-
7160 兌換利益淨額	157,680	-	53,539	-
7310 金融資產評價利益(附註四(二))	-	-	21	-
7320 金融負債評價利益(附註四(二))	-	-	20,232	-
7220 出售廢料收入	374,099	1	277,464	1
7480 什項收入	86,150	-	81,146	-
7100 營業外收入及利益合計	1,684,314	4	2,233,185	6
營業外費用及損失：				
7510 利息費用	(2,398)	-	(102,563)	-
7630 減損損失(附註四(二))	(32,864)	-	-	-
7640 金融資產評價損失(附註四(二))	(2,074)	-	-	-
7880 什項支出	(11,702)	-	(13,064)	-
7500 營業外費用及損失合計	(49,038)	-	(115,627)	-
7900 本期稅前淨利	8,226,352	22	10,055,634	26
8110 所得稅費用(附註四(十))	(1,579,142)	(4)	(1,521,090)	(4)
9600 本期淨利	\$ 6,647,210	18	8,534,544	22
	稅前	稅後	稅前	稅後
9750 基本每股盈餘(元)(附註四(十二))	\$ 13.44	10.86	16.42	13.94
9850 稀釋每股盈餘(元)(附註四(十二))	\$ 13.44	10.86	16.39	13.91

(請詳閱後附財務報表附註)

董事長：吳欽仁

經理人：張家鈞

會計主管：黃文惠

南亞電路板股份有限公司  
股東權益變動表  
民國九十七年及九十六年一月一日至十二月三十一日

單位：新台幣千元

	普通股本	資本公積	保留盈餘			累積換算調整數	金融商品未實現利益(損失)	庫藏股票	合計
			法定盈餘公積	特別盈餘公積	未分配盈餘				
民國九十六年一月一日期初餘額	\$ 6,014,487	21,746,729	1,053,947	672,510	10,284,081	(36,605)	681,553	-	40,416,702
民國九十六年股東常會盈餘分配：									
提列法定盈餘公積	-	-	1,024,032	-	(1,024,032)	-	-	-	-
現金股利	-	-	-	-	(9,045,789)	-	-	-	(9,045,789)
股票股利	156,377	-	-	-	(156,377)	-	-	-	-
員工紅利	-	-	-	-	(12,719)	-	-	-	(12,719)
董監酬勞	-	-	-	-	(3,364)	-	-	-	(3,364)
買回庫藏股	-	-	-	-	-	-	-	(2,036,055)	(2,036,055)
轉讓庫藏股予員工	-	4,616	-	-	-	-	-	793,837	798,453
員工執行認股權發行新股	8,420	870	-	-	-	-	-	-	9,290
民國九十六年度淨利	-	-	-	-	8,534,544	-	-	-	8,534,544
備供出售金融商品未實現損失	-	-	-	-	-	-	(126,481)	-	(126,481)
長期股權投資外幣換算調整數	-	-	-	-	-	(25,111)	-	-	(25,111)
民國九十六年十二月三十一日餘額	6,179,284	21,752,215	2,077,979	672,510	8,576,344	(61,716)	555,072	(1,242,218)	38,509,470
民國九十七年股東常會盈餘分配：									
提列法定盈餘公積	-	-	853,454	-	(853,454)	-	-	-	-
現金股利	-	-	-	-	(7,672,316)	-	-	-	(7,672,316)
員工紅利	-	-	-	-	(1,996)	-	-	-	(1,996)
董監酬勞	-	-	-	-	(3,367)	-	-	-	(3,367)
員工執行認股權發行新股	2,290	-	-	-	-	-	-	-	2,290
民國九十七年度淨利	-	-	-	-	6,647,210	-	-	-	6,647,210
備供出售金融商品未實現損失	-	-	-	-	-	-	(2,080,309)	-	(2,080,309)
長期股權投資外幣換算調整數	-	-	-	-	-	113,629	-	-	113,629
民國九十七年十二月三十一日餘額	\$ 6,181,574	21,752,215	2,931,433	672,510	6,692,421	51,913	(1,525,237)	(1,242,218)	35,514,611

(請詳閱後附財務報表附註)

董事長：吳欽仁

經理人：張家鈞

會計主管：黃文惠

南亞電路板股份有限公司

現金流量表

民國九十七年及九十六年一月一日至十二月三十一日

單位：新台幣千元

	97年度	96年度
<b>營業活動之現金流量：</b>		
本期淨利	\$ 6,647,210	8,534,544
調整項目：		
折舊費用	2,713,269	2,744,590
各項攤銷	14,005	10,983
壞帳費用	-	28,655
壞帳回轉利益	(46,019)	-
處分投資利益	(12,678)	(66,654)
金融資產評價損失(利益)	2,074	(21)
金融負債評價利益	-	(5,909)
權益法認列長期股權投資利益淨額	(568,135)	(1,053,749)
減損損失	32,864	-
採權益法之長期投資現金股利	77,787	51,084
處分固定資產利益淨額	(23,153)	(25,881)
聯屬公司間未實現銷貨利益	2,406	2,023
聯屬公司間已實現銷貨利益	(2,352)	(10,491)
未實現兌換利益淨額	(20,442)	(5,785)
應收票據及帳款減少(增加)數	3,425,314	(1,669,155)
其他應收款減少(增加)數	(15,427)	53,324
存貨減少(增加)數	501,141	(332,701)
預付款項減少(增加)數	40,907	(56,064)
遞延所得稅資產淨減少數	170,809	261,375
應付票據及帳款減少數	(1,473,195)	(461,246)
應付費用增加(減少)數	(446,621)	84,401
其他應付款增加(減少)數	(12,359)	1,122
其他流動負債增加(減少)數	(19,754)	25,095
應計退休金負債增加數	28,868	31,561
<b>營業活動之淨現金流入</b>	<b>11,016,519</b>	<b>8,141,101</b>
<b>投資活動之現金流量：</b>		
購置固定資產	(2,180,135)	(2,154,622)
處分固定資產價款	38,035	47,037
應收關係人往來款減少(增加)數	2,302,000	(2,415,600)
採權益法之長期投資增加數	(805,222)	(217,417)
指定公平價值變動入損益之金融資產增加數	-	(470,000)
備供出售金融資產增加數	-	(600,000)
指定公平價值變動及備供出售金融商品出售價款	974,821	3,447,954
存出保證金減少數	20	226
專門技術增加數	(64,356)	-
其他金融資產減少數	-	2,586,702
<b>投資活動之淨現金流入</b>	<b>265,163</b>	<b>224,280</b>
<b>融資活動之現金流量：</b>		
員工執行認股權	2,290	9,290
償還一年內到期之公司債	-	(1,088,000)
存入保證金減少數	(14,844)	(9,534)
分派董監酬勞	(3,367)	(3,364)
分派員工紅利	(1,996)	(12,719)
現金股利	(7,672,316)	(9,045,789)
庫藏股買回	-	(2,036,055)
轉讓庫藏股予員工	-	798,453
<b>融資活動之淨現金流出</b>	<b>(7,690,233)</b>	<b>(11,387,718)</b>
匯率影響數	(881)	6,855
<b>本期現金及約當現金增加(減少)數</b>	<b>3,590,568</b>	<b>(3,015,482)</b>
期初現金及約當現金餘額	5,107,064	8,122,546
期末現金及約當現金餘額	<b>\$ 8,697,632</b>	<b>\$ 5,107,064</b>
本期支付所得稅	<b>\$ 1,426,515</b>	<b>\$ 1,360,108</b>
本期支付利息	<b>\$ 2,398</b>	<b>\$ 117,898</b>
<b>不影響現金流量之投資及融資活動：</b>		
現金股利尚未發放帳列其他應付款項	<b>\$ 343</b>	<b>\$ 415</b>
董監酬勞尚未發放帳列其他應付款項	<b>\$ 1,117</b>	<b>\$ 1,116</b>

(請詳閱後附財務報表附註)

董事長：吳欽仁

經理人：張家鈞

會計主管：黃文惠

## 南亞電路板股份有限公司

### 財務報表附註

民國九十七年及九十六年十二月三十一日

(除另有註明者外，所有金額均以新台幣千元為單位)

#### 一、公司沿革

南亞電路板股份有限公司(以下簡稱本公司)於民國八十六年十月二十八日奉經濟部核准設立，主要業務為經營印刷電路板之製造銷售。

本公司之母公司為南亞塑膠工業股份有限公司。

截至民國九十七年及九十六年十二月三十一日，本公司員工人數分別約為5,878人及5,959人。

#### 二、重要會計政策之彙總說明

本公司財務報表係依照證券發行人財務報告編製準則、商業會計法、商業會計處理準則及一般公認會計原則編製。重要會計政策及衡量基礎彙總說明如下：

##### (一)會計估計

本公司於編製財務報表時，業已依規定對財務報表所列資產、負債、收益、費損及或有事項，採用必要之假設及估計加以衡量、評估與揭露，惟該等估計與實際結果可能存有差異。

##### (二)外幣交易及外幣財務報表之換算

本公司以新台幣記帳。非衍生性商品之外幣交易依交易日之即期匯率入帳；資產負債表日之外幣貨幣性資產或負債，依當日之即期匯率換算，產生之兌換差額列為當期損益。外幣非貨幣性資產或負債按交易日之歷史匯率衡量；但以公平價值衡量之外幣非貨幣性資產或負債，則按資產負債表日即期匯率換算，如屬公平價值變動認列為當期損益者，兌換差額亦認列為當期損益；如屬公平價值變動認列為股東權益調整項目者，兌換差額亦認列為股東權益調整項目。

本公司採權益法評價之國外長期股權投資非以當地貨幣為功能性貨幣者，則先將其外幣財務報表以功能性貨幣再衡量，因再衡量所產生之換算差額，列入當期之兌換損益；另因外幣財務報表換算為本國貨幣所產生之換算差額，及對國外營運機構具有長期投資性質之外幣墊款所產生之兌換差額，列入股東權益項下之外幣換算調整數。

##### (三)資產與負債區分流動與非流動之分類標準

用途未受限制之現金或約當現金；因營業所產生之資產，預期將於正常營業週期中變現、消耗或意圖出售者；為交易目的而持有之資產；預期將於資產負債表日後十二個月內變現之資產，列為流動資產；非屬流動資產者列為非流動資產。

負債預期於資產負債表日後十二個月內清償者列為流動負債；非屬流動負債者列為非流動負債。

## 南亞電路板股份有限公司財務報表附註(續)

### (四)資產減損

本公司於資產負債表日就有減損跡象之資產(個別資產或現金產生單位)，估計其可回收金額，就可回收金額低於帳面價值之資產，認列減損損失。商譽以外之資產，於以前年度所認列之累積減損損失，嗣後若已不存在或減少，即予迴轉，增加資產帳面價值至可回收金額，惟不超過資產在未認列減損損失下，減除應提列折舊或攤銷後之數。

商譽、民國九十六年一月一日起非確定耐用年限無形資產及尚未可供使用之無形資產，每年定期進行減損測試，並就可回收金額低於帳面價值之部分，認列減損損失。

### (五)約當現金

本公司所稱約當現金，係指隨時可轉換成定額現金且即將到期，而其利率變動對價值影響甚少之短期且具高度流動性之投資，包括投資日起三個月內到期或清償之國庫券、商業本票、銀行承兌匯票等。

### (六)金融資產及負債

本公司對金融商品係採交易日會計，於原始認列時，將金融商品以公平價值衡量，除以公平價值衡量且公平價值變動認列為損益之金融商品外，其他金融商品之原始認列金額則加計取得或發行之交易成本。

本公司所持有或發行之金融商品，在原始認列後，依本公司持有或發行之目的，分為下列各類：

- 1.以公平價值衡量且公平價值變動認列為損益之金融資產或負債：此類金融商品包括以交易為目的及原始認列時指定以公平價值衡量且公平價值變動列為損益兩類。以交易為目的之金融商品係因其取得或發生之主要目的為短期內出售或再買回之交易目的金融商品，本公司所持有之衍生性商品，除被指定且為有效之避險工具外，餘應歸類為此類金融資產。所持有之金融商品如為應分別認列主契約及嵌入式衍生性商品之混合商品，但無法於取得時或後續資產負債表日個別衡量嵌入式衍生性商品或為可消除或重大減少會計不一致之金融商品，於原始認列時，將指定為以公平價值衡量且公平價值變動認列為損益之金融資產及負債。
- 2.備供出售金融資產：係以公平價值評價，除減損損失及貨幣性金融資產外幣兌換損益外，於金融資產除列前，認列為股東權益調整項目。於除列時，將累積之利益或損失列入當期損益。若有減損之客觀證據，則認列減損損失。若後續期間減損金額減少，備供出售權益商品之減損減少金額，認列為股東權益調整項目；備供出售債務商品之減損減少金額若明顯與認列減損後發生之事件有關，則予以迴轉並認列為當期損益。

## 南亞電路板股份有限公司財務報表附註(續)

3.以成本衡量之金融資產：無法可靠衡量公平價值之權益商品投資，以原始認列之成本衡量。若有減損之客觀證據，則認列減損損失，此減損金額不予迴轉。

### (七)備抵壞帳

備抵壞帳之提列係依各應收款項之可收現性評估提列。備抵壞帳金額之決定，係依據過去收款經驗、帳齡分析並考量內部授信政策後提列。

### (八)存 貨

存貨係以成本（按月加權平均法計算）與市價孰低法為評價基礎，以重置成本或淨變現價值為市價。

### (九)採權益法之長期股權投資

本公司與本公司對其具有控制力之子公司合併持有被投資公司有表決權股份比例達百分之二十以上，或未達百分之二十但具有重大影響力者，採權益法評價。

自民國九十五年一月一日起，本公司依「採權益法之長期股權投資會計處理準則」修訂條文，對投資成本與取得股權淨值之差額認列為商譽。以前年度投資成本與股權淨值間之差額因無法分析原因選擇採五年攤銷之餘額，自民國九十五年一月一日起不再攤銷。

採權益法之長期股權投資出售時，以售價與處分日該投資帳面價值之差額，作為長期股權投資處分損益，帳上如有因長期股權投資產生之資本公積餘額時，則按出售比例轉列當期損益。

本公司與採權益法評價之被投資公司間相互持股時，其投資損益採庫藏股票法計算。與被投資公司間交易及各子公司間交易所產生之損益尚未實現者，予以遞延。交易損益如屬折舊性或攤銷性之資產所產生者，依其效益年限逐年承認；其他類資產所產生者，於實現年度承認。

### (十)固定資產及其折舊

固定資產以取得成本為入帳基礎。為購建設備並正在進行使該資產達到可使用狀態前所發生之利息予以資本化，列入相關資產成本。維護及修理費用列為發生當期費用；重大增添、改良及重置支出，予以資本化。

折舊係按定率遞減法以成本依估計耐用年數計提。折舊性資產耐用年限屆滿仍繼續使用者，就其殘值自該屆滿日起估計尚可使用年限繼續提列折舊。

本公司自民國九十七年十一月二十日起，依中華民國會計研究發展基金會解釋函97.11.20基秘字第340號，將固定資產於非用以生產存貨之期間所估計之拆除或復原義務列為固定資產成本。而一項固定資產之任一組成部分，相對於總成本而言係屬重大時，則該部分係個別提列折舊。本公司每年定期於會計年度終了時，評估固定資產剩餘耐用年限、折舊方法及殘值。剩餘耐用年限、折舊方法及殘值之變動，均視為會計估計變動。

## 南亞電路板股份有限公司財務報表附註(續)

主要固定資產之耐用年數如下：

- 1.房屋及建築：25~35年
- 2.機器設備：3~10年
- 3.運輸設備：2~5年
- 4.其他設備：2~15年

處分固定資產之損益列為營業外收益及費損。

### (十一)無形資產

本公司自民國九十六年一月一日起適用財務會計準則公報第三十七號「無形資產之會計處理準則」。依該號公報規定，除政府捐助所得之無形資產按公平價值認列外，原始認列無形資產時以成本衡量。續後，以成本加依法令規定之重估增值，再減除累計攤銷及累計減損後之金額作為帳面價值。

攤銷時以原始成本減除殘值後之金額為可攤銷金額，並於已達可供使用狀態開始時，於耐用年限期間以直線法攤銷。各項無形資產耐用年限如下：

技術合作費：8~15年

每年至少於會計年度終了時評估無形資產之殘值、攤銷期間及攤銷方法。殘值、攤銷期間及攤銷方法之變動，均視為會計估計變動。

### (十二)退休金

本公司訂有職工退休辦法，凡正式員工服務滿一定年資或屆滿一定年齡或身體殘廢不堪勝任職務者，得申請或由公司通知其退休。依該辦法規定，員工退休金之支付，係根據服務年資所獲得之基數及其退休前六個月之平均薪資計算。其中所獲得之基數係依每位員工前十五年之服務，每服務滿一年可獲得二個基數，自第十六年起，每服務滿一年可獲得一個基數計算而得，總計最高以四十五個基數為限。在該退休辦法下，退休金給付全數由本公司負擔。自民國九十四年七月一日起配合勞工退休金條例（以下簡稱「新制」）之實施，原適用該辦法之員工如經選擇適用新制後之服務年資或新制施行後到職之員工其服務年資改採確定提撥制，其退休金之給付由本公司按月以每月工資百分之六提繳退休金，儲存於勞工退休金個人專戶。

本公司採用財務會計準則公報第十八號「退休金會計處理準則」，採確定給付退休辦法部份以年度資產負債表日為衡量日完成精算，其累積給付義務超過退休基金資產公平價值部份，於資產負債表認列最低退休金負債。並依該公報之規定認列淨退休金成本，包括當期服務成本等及過渡性淨資產、前期服務成本與退休金損益依員工平均剩餘服務年限採直線法攤銷。本公司依勞動基準法之規定，按月依薪資總額百分之二提撥勞工退休準備金，專戶儲存於台灣銀行。

採確定提撥退休辦法部份，本公司依勞工退休金條例之規定，依勞工每月工資百分之六之提繳率，提撥至勞工保險局，提撥數列為當期費用。

## 南亞電路板股份有限公司財務報表附註(續)

### (十三)庫藏股票

本公司收回已發行之股票，採用財務會計準則公報第三十號「庫藏股票會計處理準則」，依買回時所支付之成本認列為庫藏股票。處分庫藏股票之處分價格高於帳面價值，其差額列為資本公積—庫藏股票交易；處分價格低於帳面價值，其差額則沖抵同種類庫藏股票之交易所產生之資本公積，如有不足，則借記保留盈餘。庫藏股票之帳面價值採加權平均並依收回原因分別計算。

庫藏股票註銷時，按股權比例借記資本公積—股票發行溢價與股本，其帳面價值如高於面值與股票發行溢價之合計數時，其差額則沖抵同種類庫藏股票所產生之資本公積，如有不足，則沖抵保留盈餘；其帳面價值低於面值與股票發行溢價之合計數者，則貸記同種類庫藏股票交易所產生之資本公積。

### (十四)股份基礎給付交易

本公司採用內含價值法認列酬勞性員工認股選擇權計畫之酬勞成本，亦即按衡量日本公司股票市價與行使價格間之差額估計為酬勞成本，並於員工認股選擇權計畫所規定之員工服務年限內認列為本公司之費用，同時增加本公司之股東權益。本公司員工認股權計畫之給與日或修正日於會計研究發展基金會解釋函適用日(93年1月1日)之前者，依規定不予追溯調整。

### (十五)收入認列原則

本公司營業收入係於商品交付且風險及報酬移轉時認列。

本公司對於三角貿易收入及成本之認列，係以國外客戶訂單價格之總額為銷貨收入，向第三國供應商訂貨或支付加工費之總額為銷貨成本。本公司於符合具有說服力之證據證明雙方交易存在、商品已交付且風險及報酬已移轉、勞務已提供或資產已提供他人使用、價款係屬固定或可決定、價款收現性可合理確定時方認列收入。

### (十六)員工紅利及董監酬勞

本公司對於民國九十七年度(含)以後之盈餘，依公司法及本公司章程規定分配之員工紅利及董監酬勞時，係依會計研究發展基金會(96)基秘字第052號解釋函，於報導期中及年度財務報表，先行估計擬分配之員工紅利及董監酬勞金額，並依員工紅利及董監酬勞之性質列為營業成本或營業費用項下之適當會計科目。嗣後股東會決議分配金額與財務報表估列數如有差異，視為估計變動，列為分配當期損益。

### (十七)所得稅

本公司之所得稅會計處理係採用財務會計準則公報第二十二號「所得稅之會計處理準則」，所得稅之估計以會計所得為基礎，資產及負債之帳面價值與課稅基礎之差異，依預計回轉年度之適用稅率計算認列為遞延所得稅。並將應課稅之暫時性差異所產生之所得稅影響數認列為遞延所得稅負債，與將可減除暫時性差異、虧損扣抵及所得稅抵減所產生之所得稅影響數認列為遞延所得稅資產，再評估遞延所得稅資產之可實現性，認列其備抵評價金額。

## 南亞電路板股份有限公司財務報表附註(續)

遞延所得稅資產或負債依其相關資產或負債之分類，劃分為流動或非流動項目，非與資產或負債相關者，則依預期回轉期間之長短，劃分為流動或非流動項目。

本公司未分配盈餘加徵百分之十營利事業所得稅部分，列為股東會決議分派盈餘之日所屬年度之當期費用。

### (十八)普通股每股盈餘

普通股每股盈餘，係以本期淨利除以普通股流通在外加權平均股數計算之，凡有現金增資者，則以其流通期間計算加權平均股數；但以保留盈餘及資本公積轉增資行之股數，則採追溯調整計算。本公司所發行之認股權證屬潛在普通股，潛在普通股如均未具稀釋作用，僅揭露基本每股盈餘，反之，則除揭露基本每股盈餘外，並揭露稀釋每股盈餘。稀釋每股盈餘，則假設所有具稀釋作用之潛在普通股均於當期流通在外，故本期淨利及流通在外普通股股數均須調整所有具稀釋作用潛在普通股之影響。

### 三、會計變動之理由及其影響

(一)本公司自民國九十六年一月一日起，首次適用財務會計準則公報第三十七號「無形資產之會計處理準則」，依該公報規定，本公司於開始適用日重新評估已認列無形資產之耐用年限或攤銷方法，並無應予變更之情事。

(二)本公司自民國九十七年一月一日起，首次適用財務會計準則公報第三十九號「股份基礎給付之會計處理準則」及會計研究發展基金會(96)基秘字第052號解釋函，依公報及解釋函規定分類、衡量及揭露股份基礎給付交易及員工分紅，造成民國九十七年度稅後淨利減少5,286千元，對每股盈餘影響不大。

### 四、重要會計科目之說明

#### (一)現金及約當現金

民國九十七年及九十六年十二月三十一日現金及約當現金科目餘額內容如下：

	<u>97.12.31</u>	<u>96.12.31</u>
現金	\$ -	1
支票存款	3,657	13,258
活期存款	5,636	20,222
外幣活期存款	107,208	830,202
約當現金－短期票券	1,648,787	-
約當現金－附買回債券	<u>6,932,344</u>	<u>4,243,381</u>
	<u>\$ 8,697,632</u>	<u>5,107,064</u>

南亞電路板股份有限公司財務報表附註(續)

(二)金融商品

1.非衍生性金融商品：

本公司民國九十七年及九十六年十二月三十一日持有之各類金融資產明細如下：

	<u>97.12.31</u>	<u>96.12.31</u>
備供出售金融資產－流動：		
共同基金	\$ 179,169	714,716
受益憑證－債券投資	-	22,144
合    計	<u>\$ 179,169</u>	<u>736,860</u>
備供出售金融資產－非流動：		
上市股票	<u>\$ 1,368,282</u>	<u>3,413,044</u>

本公司民國九十七年度及九十六年度自備供出售金融資產當期直接轉出及認列為股東權益調整項目中之金額分別為(2,080,309)千元及(126,481)千元，截至民國九十七年及九十六年十二月三十一日備供出售金融資產未實現利益調整股東權益數分別為(1,525,237)千元及555,072千元。

	<u>97.12.31</u>		<u>96.12.31</u>	
	<u>金    額</u>	<u>持股%</u>	<u>金    額</u>	<u>持股%</u>
以成本衡量之金融資產－非流動：				
股票－Antig Technology Corporation	<u>\$ -</u>	5.48	<u>32,864</u>	5.48

本公司所持有之以成本衡量之金融資產－股票因無活絡市場公開報價，且其公平價值無法可靠衡量，故以成本衡量。本公司於民國九十七年度評估Antig Technology Corporation之股票，認為其投資價值確已減損，故認列減損損失32,864千元。

民國九十七年及九十六年十二月三十一日之非衍生性金融資產均無提供作為擔保或質押之情形。

2.衍生性金融商品：

民國九十七年及九十六年十二月三十一日，本公司持有之衍生性金融商品明細如下：

<u>項    目</u>	<u>97.12.31</u>		<u>96.12.31</u>	
	<u>帳面金額</u>	<u>名目本金</u>	<u>帳面金額</u>	<u>名目本金</u>
衍生性金融資產：				
指定公平價格變動列入損益				
－信用連結組合式商品	<u>\$ -</u>	-	<u>442,074</u>	NTD 440,000

南亞電路板股份有限公司財務報表附註(續)

指定公平價值變動列入損益之金融資產－信用連結組合式商品：

96.12.31				
發行人	連結標的	合約期間	合約金額	帳面金額
大華證券股份有限公司	裕隆二無擔保轉換公司債	96.6.28~98.1.14	\$ 80,000	\$ 80,585
大華證券股份有限公司	華航三無擔保轉換公司債	96.7.12~97.8.17	90,000	90,407
大華證券股份有限公司	華航三無擔保轉換公司債	96.12.25~97.8.17	50,000	50,035
寶來證券股份有限公司	華航三無擔保轉換公司債	96.8.1~97.8.7	190,000	190,962
元大證券股份有限公司	華航三無擔保轉換公司債	96.12.11~97.8.8	30,000	30,085
			<u>\$ 440,000</u>	<u>442,074</u>

民國九十七年十二月三十一日無此情形。

本公司之信用連結組合式商品雖係屬應分別認列主契約及嵌入式衍生性商品之混合商品，但因無法於取得時或後續資產負債表日個別衡量嵌入式商品之公平價值，因此本公司於原始認列時，將其指定為公平價值變動列入損益之金融資產。

本公司民國九十七年度及九十六年度從事衍生性金融商品所產生之評價損益如下：

	97年度		96年度	
	已實現(損)益	未實現(損)益	已實現(損)益	未實現(損)益
衍生性金融資產：				
換匯換率合約	\$ -	-	(1,089)	-
信用連結組合式商品	(2,074)	-	(964)	2,074
合    計	<u>\$ (2,074)</u>	<u>-</u>	<u>(2,053)</u>	<u>2,074</u>
衍生性金融負債：				
匯率選擇權				
嵌入式組合式定期存款				
之衍生性金融商品	\$ -	-	20,232	-

南亞電路板股份有限公司財務報表附註(續)

(三)應收票據及帳款淨額

民國九十七年及九十六年十二月三十一日應收票據及帳款科目餘額內容如下：

	<u>97.12.31</u>	<u>96.12.31</u>
應收票據	\$ 998	1,856
應收帳款	<u>6,064,854</u>	<u>9,413,887</u>
小計	6,065,852	9,415,743
減：備抵壞帳	<u>(61,166)</u>	<u>(107,185)</u>
應收票據及帳款淨額	<u><u>\$ 6,004,686</u></u>	<u><u>9,308,558</u></u>

(四)存貨淨額

民國九十七年及九十六年十二月三十一日存貨科目餘額內容如下：

	<u>97.12.31</u>	<u>96.12.31</u>
製成品	\$ 437,003	838,279
在製品	1,299,389	1,318,009
原料	536,197	521,756
物料	126,154	93,405
在途存貨(原、物料)	<u>5,739</u>	<u>134,174</u>
小計	2,404,482	2,905,623
減：備抵存貨跌價及呆滯損失	<u>(33,947)</u>	<u>(33,947)</u>
存貨淨額	<u><u>\$ 2,370,535</u></u>	<u><u>2,871,676</u></u>

(五)採權益法之長期股權投資

1.民國九十七年及九十六年十二月三十一日採權益法之長期股權投資科目餘額內容如下：

	<u>97.12.31</u>		<u>96.12.31</u>	
	<u>投資金額</u>	<u>持 股 比例%</u>	<u>投資金額</u>	<u>持 股 比例%</u>
<u>被投資公司</u>				
南亞電路板(香港)公司	\$ 6,405,623	100.00	5,051,794	100.00
南亞電路板(美國)公司	4,588	100.00	4,019	100.00
台塑石化(股)公司	<u>655,514</u>	0.13	<u>714,342</u>	0.13
	<u>7,065,725</u>		<u>5,770,155</u>	
加：累積換算調整數				
南亞電路板(香港)公司	51,969		(61,585)	
南亞電路板(美國)公司	<u>(56)</u>		<u>(131)</u>	
	<u>51,913</u>		<u>(61,716)</u>	
合 計	<u><u>\$ 7,117,638</u></u>		<u><u>5,708,439</u></u>	

## 南亞電路板股份有限公司財務報表附註(續)

本公司於香港設立之子公司南亞電路板(香港)有限公司，於民國八十九年度經董事會決議開始轉投資大陸地區。

本公司投資台塑石化(股)公司之持股比例雖未達百分之二十，但本公司之母公司—南亞塑膠工業股份有限公司對其具有重大影響力，故本公司對台塑石化(股)公司之投資亦採權益法評價。

2. 期末原始投資金額與認列投資(損)益情形如下：

被投資公司	97年度		96年度	
	期末原始 投資金額	投資收益	期末原始 投資金額	投資收益
南亞電路板(香港)公司	\$ 4,039,514	548,607	3,234,292	965,969
	(USD123,900千元)		(USD97,450千元)	
南亞電路板(美國)公司	3,479	569	3,479	781
	(USD 100千元)		(USD 100千元)	
台塑石化(股)公司	654,868	<u>18,959</u>	654,868	<u>86,999</u>
		<u><u>\$ 568,135</u></u>		<u><u>1,053,749</u></u>

3. 本公司民國九十七年度及九十六年度因銷貨及出售生產設備予子公司南亞電路板(昆山)公司所產生之順流交易已(未)實現銷貨利益及已(未)實現處分固定資產利益金額如下：

	97年度	96年度
順流未實現銷貨利益	\$ (2,406)	(2,023)
順流已實現銷貨利益	<u>2,352</u>	<u>10,491</u>
	<u><u>\$ (54)</u></u>	<u><u>8,468</u></u>
	97年度	96年度
順流未實現處分固定資產利益	\$ (6,605)	(1,889)
順流已實現處分固定資產利益	<u>17,312</u>	<u>17,082</u>
	<u><u>\$ 10,707</u></u>	<u><u>15,193</u></u>

截至民國九十七年及九十六年十二月三十一日止，因順流交易累積所產生尚未轉銷之順流未實現利益分別計184,011千元及194,665千元，列於其他負債—遞延貸項項下。

4. 上列採權益法評價之長期股權投資已上市者，其市價資料如下：

	97.12.31	96.12.31
台塑石化(股)公司	<u><u>\$ 787,158</u></u>	<u><u>1,126,170</u></u>

## 南亞電路板股份有限公司財務報表附註(續)

5.本公司民國九十七年及九十六年十二月三十一日採權益法之長期股權投資均無提供作為擔保之情形。

### (六)固定資產

本公司民國九十七年及九十六年十二月三十一日固定資產均無提供金融機構設定借款擔保抵質押之情形。

### (七)無形資產

本公司民國九十七年度及九十六年度無形資產原始成本及累計攤銷金額變動如下：

	<u>專 門 技 術</u> <u>(技術合作費)</u>
原始成本：	
民國九十六年一月一日期初餘額	\$ <u>90,226</u>
民國九十六年十二月三十一日餘額	\$ <u><u>90,226</u></u>
民國九十七年一月一日期初餘額	\$ 90,226
本期增加數	<u>64,356</u>
民國九十七年十二月三十一日餘額	\$ <u><u>154,582</u></u>
累計攤銷及減損損失：	
民國九十六年一月一日期初餘額	\$ 55,694
本期認列攤銷金額	<u>9,959</u>
民國九十六年十二月三十一日餘額	\$ <u><u>65,653</u></u>
民國九十七年一月一日期初餘額	\$ 65,653
本期認列攤銷金額	<u>14,005</u>
民國九十七年十二月三十一日餘額	\$ <u><u>79,658</u></u>
帳面價值：	
民國九十六年一月一日期初餘額	\$ <u><u>34,532</u></u>
民國九十六年十二月三十一日餘額	\$ <u><u>24,573</u></u>
民國九十七年一月一日期初餘額	\$ <u><u>24,573</u></u>
民國九十七年十二月三十一日餘額	\$ <u><u>74,924</u></u>

本公司民國九十七年度及九十六年度認列無形資產攤銷費用分別為14,005千元及9,959千元，列於營業成本項下。

### (八)短期借款

本公司民國九十七年及九十六年十二月三十一日未動用之短期借款額度(含信用狀借款)皆為3,300,000千元。

南亞電路板股份有限公司財務報表附註(續)

(九)退 休 金

本公司民國九十七年度及九十六年度有關退休金資料如下：

	<u>97年度</u>	<u>96年度</u>
期末退休基金餘額	\$ <u>382,208</u>	<u>334,597</u>
當期退休金費用：		
確定給付之淨退休金成本	\$ <u>68,282</u>	<u>70,098</u>
確定提撥之淨退休金成本	\$ <u>162,512</u>	<u>147,525</u>
期末應計退休金負債餘額—帳列應計退休金負債	\$ <u>731,428</u>	<u>702,560</u>
期末應計退休金負債餘額—帳列應付費用	\$ <u>28,160</u>	<u>23,348</u>

民國九十七年及九十六年十二月三十一日之基金提撥狀況與應計退休金負債調節如下：

	<u>97.12.31</u>	<u>96.12.31</u>
給付義務：		
既得給付義務	\$ 58,592	41,512
非既得給付義務	<u>486,475</u>	<u>468,503</u>
累積給付義務	545,067	510,015
未來薪資增加之影響數	<u>543,200</u>	<u>434,965</u>
預計給付義務	1,088,267	944,980
退休基金資產公平價值	<u>(382,208)</u>	<u>(334,597)</u>
提撥狀況	706,059	610,383
未認列過渡性淨給付義務	(66,893)	(70,828)
未認列退休金利益	<u>92,262</u>	<u>163,005</u>
應計退休金負債	\$ <u>731,428</u>	<u>702,560</u>

民國九十七年度及九十六年度確定給付之淨退休金成本組成項目如下：

	<u>97年度</u>	<u>96年度</u>
服務成本	\$ 49,220	52,612
利息成本	28,301	25,876
退休基金資產預計報酬	(10,637)	(9,250)
攤銷及遞延數	<u>1,398</u>	<u>860</u>
淨退休金成本	\$ <u>68,282</u>	<u>70,098</u>

## 南亞電路板股份有限公司財務報表附註(續)

截至民國九十七年及九十六年十二月三十一日止，本公司職工退休辦法之員工既得給付分別約為69,992千元及49,547千元。精算假設如下：

	<b>97.12.31</b>	<b>96.12.31</b>
折 現 率	3.00 %	3.00 %
未來薪資水準增加率	3.00 %	3.00 %
退休金資產預期長期投資報酬率	3.00 %	3.00 %

### (十)所得稅

1.本公司營利事業所得稅法定稅率最高為百分之二十五，並且適用「所得基本稅額條例」計算基本稅額。所得稅費用組成如下：

	<b>97年度</b>	<b>96年度</b>
當期所得稅費用	\$ 1,408,333	1,259,715
遞延所得稅費用	170,809	261,375
所得稅費用	<b>\$ 1,579,142</b>	<b>1,521,090</b>

上列遞延所得稅費用之組成項目如下：

	<b>97年度</b>	<b>96年度</b>
未實現兌換利益	\$ 3,664	11,735
遞延未實現銷貨毛利	(13)	2,117
遞延未實現出售固定資產利益	2,677	3,798
退休金財稅差異	(7,346)	(7,886)
權益法認列國外投資利益	137,295	241,687
國外投資損失準備	40,261	10,871
備抵呆帳超限	3,006	(2,430)
未實現金融商品評價(損)益	(519)	1,483
減損損失	(8,216)	-
遞延所得稅費用	<b>\$ 170,809</b>	<b>261,375</b>

南亞電路板股份有限公司財務報表附註(續)

2.民國九十七年度及九十六年度本公司損益表中所列稅前淨利依規定稅率計算之所得稅與所得稅費用間之差異列示如下：

	<u>97年度</u>	<u>96年度</u>
稅前淨利依法定稅率估計所得稅	\$ 2,056,578	2,513,898
權益法認列投資收益	(4,739)	(21,750)
其他依稅法調整數	(33,116)	944
免稅所得稅額	(252,122)	(553,929)
分離課稅	1,473	4,633
投資抵減稅額	(180,346)	(400,127)
未分配盈餘加徵10%稅款	341	-
以前年度所得稅高估數	<u>(8,927)</u>	<u>(22,579)</u>
所得稅費用	<u>\$ 1,579,142</u>	<u>1,521,090</u>

3.本公司民國九十七年及九十六年十二月三十一日之遞延所得稅資產(負債)明細如下：

	<u>97.12.31</u>	<u>96.12.31</u>
流動：		
遞延所得稅資產	\$ 13,449	16,372
備抵評價－遞延所得稅資產	<u>-</u>	<u>-</u>
淨遞延所得稅資產	13,449	16,372
遞延所得稅負債	<u>(22,797)</u>	<u>(1,965)</u>
流動遞延所得稅資產(負債)淨額	<u>\$ (9,348)</u>	<u>14,407</u>
非流動：		
遞延所得稅資產	\$ 230,767	217,952
備抵評價－遞延所得稅資產	<u>-</u>	<u>-</u>
淨遞延所得稅資產	230,767	217,952
遞延所得稅負債	<u>(696,627)</u>	<u>(536,758)</u>
非流動遞延所得稅負債淨額	<u>\$ (465,860)</u>	<u>(318,806)</u>
遞延所得稅資產總額	<u>\$ 244,216</u>	<u>234,324</u>
遞延所得稅負債總額	<u>\$ 719,424</u>	<u>538,723</u>
遞延所得稅資產之備抵評價金額	<u>\$ -</u>	<u>-</u>

南亞電路板股份有限公司財務報表附註(續)

4.遞延所得稅資產及負債之明細，其個別所得稅影響如下：

	97.12.31		96.12.31	
	金額	所得稅影響數	金額	所得稅影響數
流動遞延所得稅資產：				
遞延貸項－未實現銷貨毛利	\$ 2,215	554	2,352	588
遞延貸項－未實現處分固定資產利益	17,623	4,405	17,151	4,288
備抵呆帳超限	10	3	12,037	3,009
未實現存貨跌價損失	33,947	8,487	33,947	8,487
淨流動遞延所得稅資產		13,449		16,372
流動遞延所得稅負債：				
未實現兌換利益	20,442	5,110	5,785	1,446
國外投資損失準備	70,746	17,687	-	-
未實現金融商品評價利益	-	-	2,074	519
流動遞延所得稅資產(負債)淨額		\$ (9,348)		14,407
非流動遞延所得稅資產：				
遞延貸項－未實現銷貨毛利	\$ 2,278	569	2,088	522
遞延貸項－未實現處分固定資產利益	161,895	40,474	173,074	43,268
退休金財稅差異	726,030	181,508	696,647	174,162
減損損失	32,864	8,216	-	-
淨非流動遞延所得稅資產		230,767		217,952
非流動遞延所得稅負債：				
權益法認列國外投資收益	2,367,218	591,805	1,818,041	454,510
國外投資損失準備	419,289	104,822	328,991	82,248
非流動遞延所得稅負債淨額		\$ (465,860)		(318,806)

5.本公司符合新興重要策略性產業與製造業及相關技術服務業之適用範圍，業經國稅局核准，並由本公司選定免稅開始日，連續五年就其相關所得，免納營利事業所得稅，核准免稅明細資料如下：

免稅類別	核准函號	獎勵項目	免稅期間
增資擴展	94.05.03台財稅 第0940527710號	IC構裝軟硬基板(BGA基板)	94.1.1~98.12.31
增資擴展	97.01.31台財稅 第09700077200號	IC構裝軟硬基板(BGA基板)	97.1.1~101.12.31

南亞電路板股份有限公司財務報表附註(續)

6.本公司依促進產業升級條例第十二條規定，就經核准之國外投資持股比例達百分之五十以上部份，於投資款匯出年度就其投資總額百分之二十，提列國外投資損失準備並於申報營利事業所得稅時認列為當期費用。所提列之國外投資損失準備，在提列五年內若無實際投資損失發生時，於申報營利事業所得稅時，則將提列之準備轉作第五年度收益處理，提列明細資料如下：

<u>投資年度</u>	<u>投資金額</u>	<u>提列金額</u>	<u>迴轉年度</u>
民國九十四年度	\$ 353,732	70,747	民國九十八年度
民國九十五年度	1,073,806	214,761	民國九十九年度
民國九十六年度	217,417	43,483	民國一〇〇年度
民國九十七年度	<u>805,222</u>	<u>161,044</u>	民國一〇一年度
	<u>\$ 2,450,177</u>	<u>490,035</u>	

7.本公司營利事業所得稅結算申報業奉稅捐稽徵機關核定至民國九十四年度。

8.股東可扣抵稅額帳戶、稅額扣抵比率以及未分配盈餘

截至民國九十七年及九十六年十二月三十一日止，本公司之股東可扣抵稅額帳戶餘額分別為677,300千元及519,622千元。對中華民國居住者盈餘分配之稅額扣抵比率，民國九十七年度預計及九十六年度實際之比率分別為21.72%及15.11%。

截至民國九十七年及九十六年十二月三十一日止，本公司未分配盈餘中屬於民國八十六年度(含)以前之盈餘均為3,840千元。

(十一)股東權益

1.股本

本公司經民國九十六年六月二十一日股東常會通過，以民國九十五年度之應分派股東紅利156,377千元轉增資，發行新股15,637,667股。本增資案已經行政院金融監督管理委員會金管證(一)字第0960051115號函核准，並經本公司董事會訂定民國九十六年十月十五日為增資基準日，前述變更業已辦妥法定登記程序。

民國九十七年度本公司員工依據「員工認股權憑證發行及認股辦法」行使認股權認購普通股如下：

<u>增資基準日</u>	<u>行使認股權 股數(千股)</u>	<u>每股認購價格(元)</u>	<u>股 款</u>
97.3.28	85	\$ 10	\$ 850
97.5.9	79	10	790
97.8.26	53	10	530
97.12.25	<u>12</u>	10	<u>120</u>
	<u>229</u>		<u>\$ 2,290</u>

## 南亞電路板股份有限公司財務報表附註(續)

民國九十六年度本公司員工依據「員工認股權憑證發行及認股辦法」行使認股權認購普通股如下：

<u>增資基準日</u>	<u>行使認股權 股數(千股)</u>	<u>每股認購價格(元)</u>	<u>股 款</u>
96.3.21	60	21.3	\$ 1,278
96.6.26	10	21.3	213
96.9.5	7	21.3	149
96.12.25	<u>765</u>	10	<u>7,650</u>
	<u><b>842</b></u>		<u><b>\$ 9,290</b></u>

本公司截至民國九十七年及九十六年十二月三十一日止之額定股本均為7,000,000千元，分別保留117,780千元及125,600千元供認股權憑證使用，實收股本分別為6,181,574千元及6,179,284千元，每股面額10元。

### 2.庫藏股票

(1)民國九十七年度庫藏股變動情形如下：

<u>項 目</u>	<u>期初餘額</u>	<u>本期增加</u>	<u>本期減少</u>	<u>期末餘額</u>
本公司買回股票為轉讓股份予員工—股數(千股)	<u>6,101</u>	<u>-</u>	<u>-</u>	<u>6,101</u>
本公司買回股票為轉讓股份予員工—金額	<u>\$ 1,242,218</u>	<u>-</u>	<u>-</u>	<u>1,242,218</u>

民國九十六年度庫藏股變動情形如下：

<u>項 目</u>	<u>期初餘額</u>	<u>本期增加</u>	<u>本期減少</u>	<u>期末餘額</u>
本公司買回股票為轉讓股份予員工—股數(千股)	<u>-</u>	<u>10,000</u>	<u>3,899</u>	<u>6,101</u>
本公司買回股票為轉讓股份予員工—金額	<u>\$ -</u>	<u>2,036,055</u>	<u>793,837</u>	<u>1,242,218</u>

(2)依證券交易法之規定，公司買回股份之數量比例，不得超過公司已發行股份總數百分之十；收買股份之總金額，不得逾保留盈餘加發行股份溢價及已實現之資本公積之金額。以民國九十七年十二月三十一日為計算基準，本公司可買回股數最高上限為55,715千股，收買股份金額最高限為32,043,840千元。

(3)本公司持有之庫藏股票依證券交易法規定不得質押，於未轉讓前，不得享有股東權利。

## 南亞電路板股份有限公司財務報表附註(續)

### 3.公積及保留盈餘

#### (1)資本公積

民國九十七年及九十六年十二月三十一日之資本公積內容如下：

	<b>97.12.31</b>	<b>96.12.31</b>
現金增資溢價發行	\$ 21,747,476	21,747,476
庫藏股交易	4,616	4,616
其他	123	123
	<b>\$ 21,752,215</b>	<b>21,752,215</b>

依公司法規定，資本公積需優先填補虧損後，始得以已實現之資本公積轉作資本。前項所稱之已實現資本公積，包括超過票面金額發行股票所得之溢價、受領贈與之所得以及庫藏股交易溢價。依發行人募集與發行有價證券處理準則規定，得撥充資本之資本公積，每年撥充資本之合計金額，不得超過實收資本額百分之十。

#### (2)法定盈餘公積

依公司法規定，公司應就稅後純益提撥百分之十為法定盈餘公積，直至與實收資本額相等為止。法定盈餘公積依法通常僅供彌補虧損之用，不得用以分配現金股利。但此項公積之提列已達實收資本額百分之五十時，得以股東會決議，於其不超過半數之範圍內轉撥資本。

#### (3)盈餘分配

依本公司章程規定，年度決算如有盈餘應先完納稅捐，彌補虧損，再提百分之十法定盈餘公積，並於必要時酌提特別盈餘公積，次提股息，當年度如尚有盈餘(以下稱扣息後可分配盈餘)，併同以前年度累積未分配盈餘，由董事會擬具股東紅利分配案，提請股東常會決議分派之。前項特別盈餘公積包含：

- A.因特殊用途所提列之盈餘公積。
- B.依權益法認列之投資收益。
- C.因金融商品交易認列之淨評價收益，惟其累積數減少時，應同額調減特別盈餘公積，並以本項已提列數為限。
- D.其他依法令規定提列之特別盈餘公積。

本公司應按當年度扣息後可分配盈餘，提撥百分之零點一至百分之一之員工紅利，其提撥金額並作為當年度費用。

本公司股利政策採現金股利、盈餘轉增資與資本公積轉增資三種方式搭配發放，就當年度可分配盈餘扣法定盈餘公積及特別盈餘公積後，至少分配50%以上，並以發放現金股利為優先，盈餘及資本公積轉增資合計之比例，不得超過當年全部股利之50%。

## 南亞電路板股份有限公司財務報表附註(續)

本公司民國九十七年度依公司章程所訂定之董事、監察人酬勞金及員工紅利提列方式，估計員工紅利金額為7,048千元，惟若嗣後股東會決議實際配發金額與估列數有差異時，則視為估計變動，列為當年度之損益。

本公司民國九十七年六月二十四日及九十六年六月二十一日股東常會決議民國九十六年度及九十五年度盈餘分配，分派之每股股利及員工紅利、董事與監察人酬勞如下：

	96年度	95年度
普通股每股股利(元)		
現 金	\$ 12.54	15.19
股票(依面額計價)	-	0.26
	\$ 12.54	15.45
員工紅利—現金	\$ 1,996	12,719
董事及監察人酬勞	3,367	3,364
	\$ 5,363	16,083

上述分配情形與本公司董事會決議並無差異。

本公司民國九十七年度之員工紅利及董監事酬勞分派數，尚待本公司董事會擬議及股東會決議，相關資訊可至公開資訊觀測站等管道查詢之。

#### (4) 股份基礎給付交易

本公司於民國九十二年六月二十五日經原證券暨期貨管理委員會台財證一字第0920127845號函核准發行員工認股權憑證6,000單位，每單位得認購股數為1,000股，預計得認購普通股6,000,000股，並以發行新股為履約方式。認股價格為(一)公司上市前發行者：不低於發行日最近期經會計師查核簽證之財務報告每股淨值。(二)公司上市後發行者：不低於發行日本公司普通股收盤價格。另認股權人自被授予員工認股權憑證屆滿二年後，得按下列認股權憑證授予時程行使認股權利，屆滿二年累計可行使認股比例為50%，屆滿三年為75%，屆滿四年為100%。此認股權憑證之存續期間為八年，且不得轉讓，但繼承者不在此限。上述員工認股權憑證已於民國九十二年十月三十一日全數發行，每股原始認股價格為每股30元，民國九十五年及九十六年因盈餘分配致普通股股份發生變動，依認股辦法等幅調降為每股21.3元及每股10元。

A. 截至民國九十七年十二月三十一日止，本公司酬勞性員工認股選擇權計畫資訊列示如下：

種類	原證期會 核准日期	發行 日期	發行單位數	認股權 存續期間	每股認購 價格(元)
92年第一次員工 認股權憑證	92.6.25	92.10.31	6,000	8年	\$ 10.00

南亞電路板股份有限公司財務報表附註(續)

B.民國九十七年度及九十六年度酬勞性員工認股選擇權計劃之認股選擇權數量及加權平均行使價格之資訊揭露如下表：

認股選擇權	97年度		96年度	
	數量	每股加權平均行使價格(元)	數量	每股加權平均行使價格(元)
期初流通在外	338	\$ 10.00	1,180	21.30
本期給與	-	-	-	-
本期行使	(229)	10.00	(842)	11.03
本期沒收	-	-	-	-
期末流通在外	<u>109</u>	10.00	<u>338</u>	10.00
期末仍可行使之認股選擇權	<u>109</u>		<u>338</u>	

C.截至民國九十七年十二月三十一日酬勞性員工認股選擇權計劃流通在外之資訊如下表：

每股 行使價格之範圍(元)	數量	加權平均預期 剩餘存續期限	每股加權平均 行使價格(元)	目前可行使認股選擇權	
				數量	每股加權平均 行使價格(元)
\$10	<u>109</u>	2.83年	\$ <u>10.00</u>	<u>109</u>	<u>10</u>

(十二)普通股每股盈餘

依財務會計準則公報第二十四號「每股盈餘」規定，民國九十七年度及九十六年度，有關計算每股盈餘時調整分子、分母之揭露：

	97年度		96年度	
	稅前	稅後	稅前	稅後
基本每股盈餘				
本期淨利	\$ <u>8,226,352</u>	<u>6,647,210</u>	<u>10,055,634</u>	<u>8,534,544</u>
加權平均流通在外股數(千股)	<u>611,962</u>	<u>611,962</u>	<u>612,433</u>	<u>612,433</u>
基本每股盈餘(元)	\$ <u>13.44</u>	<u>10.86</u>	<u>16.42</u>	<u>13.94</u>
稀釋每股盈餘				
計算稀釋每股盈餘之本期淨利	\$ <u>8,226,352</u>	<u>6,647,210</u>	<u>10,055,634</u>	<u>8,534,544</u>
加權平均流通在外股數(千股)	611,962	611,962	612,433	612,433
具稀釋作用之潛在普通股之影響				
—認股選擇權約當股數(千股)	<u>189</u>	<u>189</u>	<u>1,061</u>	<u>1,061</u>
計算稀釋每股盈餘之加權平均 流通在外股數(千股)	<u>612,151</u>	<u>612,151</u>	<u>613,494</u>	<u>613,494</u>
稀釋每股盈餘(元)	\$ <u>13.44</u>	<u>10.86</u>	<u>16.39</u>	<u>13.91</u>

## 南亞電路板股份有限公司財務報表附註(續)

### (十三)金融商品相關資訊

#### 1.公平價值資訊

本公司之非衍生性短期金融資產及負債中包括現金及約當現金、應收/應付帳款(含關係人者)、應收關係人往來款等，係以其在資產負債表日之帳面價值估計其公平價值；因此類商品到期日甚近，其帳面價值應屬估計公平價值之合理基礎。

(1)民國九十七年及九十六年十二月三十一日，本公司金融資產及金融負債之帳面價值及公平價值資訊如下：

	97.12.31			96.12.31		
	帳面價值	公平價值		帳面價值	公平價值	
		以公開 報價決定	以評價 方法估計		以公開 報價決定	以評價 方法估計
<u>非衍生性金融商品：</u>						
<u>金融資產：</u>						
現金及約當現金	\$ 8,697,632	116,501	8,581,131	5,107,064	863,683	4,243,381
備供出售金融資產—流動						
共同基金	179,169	179,169	-	714,716	714,716	-
受益憑證—債券投資	-	-	-	22,144	22,144	-
應收票據及帳款 (含關係人)	6,054,398	-	6,054,398	9,407,561	-	9,407,561
應收關係人往來款	4,660,500	-	4,660,500	6,962,500	-	6,962,500
備供出售金融資產 —非流動						
上市股票	1,368,282	1,368,282	-	3,413,044	3,413,044	-
以成本衡量之金融資產 —非流動(股票)	-	-	-	32,864	-	-
存出保證金	1,662	-	-	1,682	-	-
<u>金融負債：</u>						
應付帳款(含關係人)	1,051,908	-	1,051,908	2,520,296	-	2,520,296
存入保證金	7,499	-	-	22,343	-	-
<u>衍生性金融商品：</u>						
<u>金融資產：</u>						
公平價值變動列入損益 之金融資產：						
信用連結組合式商品	-	-	-	442,074	-	442,074

## 南亞電路板股份有限公司財務報表附註(續)

(2)本公司估計金融商品公平價值所使用之方法及假設如下：

- A.短期金融商品以其在資產負債表日之帳面價值估計其公平價值，因此類商品到期日甚近，其帳面價值應屬估計公平價值之合理基礎。此方法應用於現金及約當現金、應收票據及帳款(含關係人)、應付帳款(含關係人)、應收關係人往來款。
- B.金融資產／負債如有活絡市場公開報價時，則以此市場價格為公平價值。若無市場價格可供參考時，則採用評價方法估計，所使用之估計與假設係與市場參與者於金融商品訂價時用以作為估計及假設之資訊一致。本公司使用之折現率與實質上條件及特性相同之金融商品之報酬率相等，其條件及特性包括債務人之信用狀況、合約規定固定利率計息之剩餘期間、支付本金之剩餘期間及支付幣別等。
- C.存出入保證金係為現金收支，故其公平價值應與帳面價值相當。

2.財務風險資訊：

(1)市場風險

- A.本公司從事之備供出售金融資產及衍生性金融商品交易，受市場價格變動之影響，因此本公司將暴露於市場價格變動之風險。
- B.本公司將因外匯匯率變動而使外幣存款、應收帳款及應付帳款而產生價值波動之風險。

(2)信用風險

- A.本公司應收款項之債務人，大部分為信用良好之國際知名公司，近年來未有實際發生重大呆帳之情形。且本公司定期評估備抵呆帳之適足性，經評估結果並無重大之信用風險。
- B.本公司從事之備供出售金融資產投資，雖有信用風險發生之可能，惟其具公開活絡之市場，故預期不致產生重大影響。
- C.本公司從事之衍生性金融商品交易，係與信用良好之金融機構往來，預期該金融機構不致產生違約，故發生信用風險之可能性極低。
- D.本公司與金融機構簽訂之信用連結組合式商品雖係屬非保本型契約，但本公司之信用連結標的皆屬信用良好之知名企業，故發生信用風險之可能性極低。

(3)流動性風險

- A.本公司應收款項之主要債務人，均為信用良好之國際知名公司，且應收款項均屬一年內到期者，收款情形並無異常，經評估並無重大之流動性風險。
- B.本公司之備供出售金融資產，其標的均具有活絡之交易市場，應可輕易在市場上以接近公平價值之價格迅速贖回，因此發生流動性風險之可能性極低。

## 南亞電路板股份有限公司財務報表附註(續)

### (4)利率變動之現金流量風險

本公司所持有之資產及負債皆為浮動利率，惟因市場利率變動甚小，故本公司認為因利率變動產生之未來現金流量風險應不重大。

## 五、關係人交易

### (一)關係人之名稱及關係

<u>關係人名稱</u>	<u>與本公司之關係</u>
南亞塑膠工業股份有限公司 (以下簡稱南亞塑膠公司)	本公司之母公司
華亞科技股份有限公司 (以下簡稱華亞科技公司)	與本公司董事長同一人
南亞科技股份有限公司 (以下簡稱南亞科技公司)	原與本公司董事長同一人 (民國九十七年三月改選)
文方實業股份有限公司 (以下簡稱文方公司)	與本公司董事長同一人
南亞電路板(昆山)有限公司 (以下簡稱南電(昆山)公司)	本公司之子公司
南亞電路板(美國)公司 (以下簡稱南電(美國)公司)	本公司之子公司
台灣塑膠工業股份有限公司 (以下簡稱台灣塑膠公司)	本公司之母公司為該公司之法人董事
台灣化學纖維股份有限公司 (以下簡稱台化纖維公司)	董事長與本公司總經理為二親等
台塑石化股份有限公司 (以下簡稱台塑石化公司)	為本公司採權益法評價之公司
福懋科技股份有限公司 (以下簡稱福懋科技公司)	董事長與本公司總經理為二親等
亞太投資股份有限公司 (以下簡稱亞太投資公司)	本公司董事長為該公司之董事
台朔重工股份有限公司 (以下簡稱台朔重工公司)	為本公司之母公司採權益法評價之公司
台宇汽車股份有限公司 (以下簡稱台宇汽車公司)	為本公司之母公司採權益法評價之公司
全體董事、監察人、總經理及 副總經理	本公司主要管理階層

南亞電路板股份有限公司財務報表附註(續)

(二)與關係人間之重大交易事項

1.進貨及銷貨

民國九十七年度及九十六年度本公司與關係人間之進貨及銷貨明細如下：

	97年度		96年度	
	金額	佔本公司進貨淨額%	金額	佔本公司進貨淨額%
進 貨：				
南亞塑膠公司	\$ 2,009,164	9.56	2,149,157	9.81
南電(昆山)公司	7,455,759	35.49	7,099,503	32.41
文方公司	144,075	0.69	166,927	0.76
台灣塑膠公司	74,710	0.36	60,191	0.28
	<u>\$ 9,683,708</u>	<u>46.10</u>	<u>9,475,778</u>	<u>43.26</u>

	97年度		96年度	
	金額	佔本公司營收淨額%	金額	佔本公司營收淨額%
銷 貨：				
南電(昆山)公司	\$ 49,247	0.13	46,411	0.12
福懋科技公司	538,441	1.44	459,566	1.19
南亞科技公司	139,118	0.37	116,105	0.30
	<u>\$ 726,806</u>	<u>1.94</u>	<u>622,082</u>	<u>1.61</u>

(1)向南亞塑膠公司進貨金額係包含蒸氣費及水電費。

(2)向文方公司進貨金額係託工工繳款。

(3)售與南電(昆山)公司之銷貨主係零件及備品。

(4)進貨價格及付款條件

本公司與關係人間之進貨價格及條件與一般廠商並無顯著差異，向關係人進貨分別係於次月十五日前(南亞塑膠公司、台灣塑膠公司、南電(昆山)公司)及月結90天(文方公司)付款。

(5)銷貨價格及收款條件

銷貨予關係人之收款方式一般為月結90天；福懋科技公司為月結75天；銷售價格方面，係以成本加成5%~10%利益為報價基準。

南亞電路板股份有限公司財務報表附註(續)

2.應收(付)帳款(資金融通除外)

民國九十七年及九十六年十二月三十一日本公司與關係人間之應收、付帳款明細如下：

	97.12.31		96.12.31	
	金額	估應收 票據及 帳款淨額%	金額	估應收 票據及 帳款淨額%
應收帳款：				
南電(昆山)公司	\$ 9,688	0.16	4,514	0.05
福懋科技公司	36,815	0.61	80,523	0.86
南亞科技公司	3,209	0.05	13,966	0.14
	<u>\$ 49,712</u>	<u>0.82</u>	<u>99,003</u>	<u>1.05</u>

	97.12.31		96.12.31	
	金額	估應付 帳款%	金額	估應付 帳款%
應付帳款：				
南亞塑膠公司	\$ 86,016	8.18	208,973	8.29
南電(昆山)公司	294,558	28.00	507,053	20.12
文方公司	34,905	3.32	80,277	3.19
台灣塑膠公司	2,850	0.27	6,051	0.24
	<u>\$ 418,329</u>	<u>39.77</u>	<u>802,354</u>	<u>31.84</u>

3.資金融通情形

民國九十七年度及九十六年度本公司與關係人間之資金融通情形如下：

	97年度					
	最高餘額 日期	最高餘額	期末餘額	利率區間	利息總額	期末應收 利息
應收關係人往來款：						
南亞塑膠公司	97.07.24	\$ 1,000,000	51,300	1.907%~2.800%	16,091	1,487
台化纖維公司	97.01.01	1,052,000	999,800	1.907%~2.800%	25,319	1,620
台塑石化公司	97.01.01	2,278,900	756,100	1.907%~2.800%	13,545	1,520
台宇汽車公司	97.07.04	90,000	45,000	1.907%~2.789%	1,103	108
南亞科技公司	97.06.11	4,996,700	-	1.907%~2.800%	81,184	3,295
華亞科技公司	97.03.21	60,000	-	2.794%	14	-
亞太投資公司	97.01.01	3,330,600	2,808,300	1.907%~2.800%	73,110	4,549
台朔重工公司	97.01.02	1,330,900	-	1.907%~2.776%	1,368	585
			<u>\$ 4,660,500</u>		<u>211,734</u>	<u>13,164</u>

南亞電路板股份有限公司財務報表附註(續)

	96年度					期末應收 利 息
	最高餘額 日 期	最高餘額	期末餘額	利率區間	利息總額	
應收關係人往來款：						
南亞塑膠公司	96.08.20	\$ 6,429,400	301,000	2.256%~2.947%	45,286	763
台灣塑膠公司	96.01.22	400,000	-	2.256%~2.27%	1,268	-
台化纖維公司	96.06.20	2,000,000	1,052,000	2.256%~2.947%	33,018	1,988
台塑石化公司	96.07.02	3,400,000	2,278,900	2.256%~2.947%	34,226	4,530
亞太投資公司	96.07.19	3,330,600	<u>3,330,600</u>	2.296%~2.947%	<u>49,170</u>	<u>7,011</u>
			<u>\$ 6,962,500</u>		<u>162,968</u>	<u>14,292</u>

4. 財產交易

本公司於民國九十七年度及九十六年度出售印刷電路板生產設備予南電(昆山)公司，交易總價分別計有37,709千元及48,463千元，截至民國九十七年及九十六年十二月三十一日止分別計有0千元及1,266千元尚未收訖，表列其他應收款項下，其產生之未實現處分固定資產利益請參見附註四(五)3說明。

5. 租 賃

本公司向南亞塑膠公司承租座落桃園縣蘆竹鄉南崁路一段338號之廠房、員工宿舍及台北辦公室等，民國九十七年度及九十六年度情形如下：

	97年度	96年度
租賃支出	<u>\$ 144,929</u>	<u>152,301</u>

6. 其 他

本公司民國九十七年度及九十六年度因委請南電(美國)公司代為收集商情、徵信調查及介紹客戶等事項，而支付其佣金支出分別為19,199千元及18,857千元，期末皆已全數支付。

(三) 主要管理階層薪酬總額

本公司民國九十七年度及九十六年度給付董事、監察人、總經理及副總經理等主要管理階層薪酬總額之有關資訊如下：

	97年度	96年度
薪 資	\$ 14,172	19,282
業務執行費用	500	420
員工紅利	<u>11</u>	<u>3</u>
	<u>\$ 14,683</u>	<u>19,705</u>

上述金額包含董監酬勞及員工紅利估列數，詳細估列方式請詳「股東權益」項下之說明。

六、抵質押之資產：無。

## 南亞電路板股份有限公司財務報表附註(續)

### 七、重大承諾事項及或有事項

民國九十七年十二月三十一日除財務報表及附註另有說明及列示者外，本公司尚有下列重大承諾及或有事項：

- (一)本公司為進口原物料已開立未使用信用狀金額約為11,435千元。
- (二)由銀行為本公司保證計有保稅保證35,000千元及信用狀保證17,000千元。
- (三)本公司於民國九十五年一月二十日接獲桃園地方法院證據保全裁定，該裁定之聲請人為全懋精密科技股份有限公司(以下簡稱全懋)，本公司已配合法院實施證據保全程序。全懋主張本公司製造之某些型號條狀晶片封裝基板產品，涉嫌侵害該公司之發明專利。但依據經濟部智慧財產局之資料顯示，全懋前揭專利在民國九十三年三月十日曾遭第三人提出舉發在先，目前仍在該局審查中，因此其有效性仍有爭議。本公司亦已就全懋專利之有效性蒐集相關資料，進行分析釐清。

全懋原於民國九十五年二月十七日向台北地方法院起訴，要求本公司停止產銷特定型號之條狀晶片封裝基板產品，並於民國九十六年十月擴張要求本公司給付新台幣1,000,000千元之損害賠償，惟全案已於民國九十七年八月十三日經台灣台北地方法院宣判原告之訴駁回。全懋又於民國九十七年九月八日提起上訴，要求本公司給付新台幣500,000千元之損害賠償，惟全案目前正由法院審理中。

八、重大之災害損失：無。

九、重大之期後事項：無。

### 十、其他

- (一)本公司民國九十七年度及九十六年度發生之用人、折舊及攤銷費用依其功能別彙總如下：

性質別	功能別	97年度			96年度		
		屬於營業成本者	屬於營業費用者	合計	屬於營業成本者	屬於營業費用者	合計
用人費用							
薪資費用		4,186,679	437,949	4,624,628	4,256,909	448,589	4,705,498
勞健保費用		252,192	21,823	274,015	233,092	21,090	254,182
退休金費用		207,145	23,649	230,794	194,988	22,635	217,623
其他用人費用		103,470	8,622	112,092	100,091	8,310	108,401
折舊費用		2,707,281	5,988	2,713,269	2,736,839	7,751	2,744,590
攤銷費用		14,005	-	14,005	9,959	1,024	10,983

- (二)重分類

民國九十六年度財務報表中若干金額為配合九十七年度財務報表之表達，已作適當重分類，該重分類對財務報表之表達無重大影響。

南亞電路板股份有限公司財務報表附註(續)

十一、附註揭露事項

(一)重大交易事項相關資訊：

1.資金貸與他人：

編號	貸出資金之公司	貸與對象	往來科目	本期最高餘額	期末餘額	利率區間	資金貸與性質(註一)	業務往來金額(註二)	有短期融通資金必要之原因	提列備抵呆帳金額	擔保品		對個別對象資金貸與限額	資金貸與總限額
											名稱	價值		
0	本公司	南亞塑膠公司	應收關係人往來款	1,000,000	51,300	1.907%~2.800%	2	-	營運週轉	-	-	-	對關係企業及有業務往來者之個別對象資金融通限額以淨值之百分之二十五為限，其他對象以淨值百分之二十為限，本年度個別對象限額分別為8,878,653千元及7,102,922千元。	資金貸予他人之總額以淨值之百分之五十為限，其中貸予無業務往來但有短期融通資金必要者之總額以淨值之百分之四十為限，本年度資金融通最高限額分別為17,757,306千元及14,205,844千元
0	本公司	台化纖維公司	應收關係人往來款	1,052,000	999,800	1.907%~2.800%	2	-	營運週轉	-	-	-	"	"
0	本公司	台塑石化公司	應收關係人往來款	2,278,900	756,100	1.907%~2.800%	2	-	營運週轉	-	-	-	"	"
0	本公司	台宇汽車公司	應收關係人往來款	90,000	45,000	1.907%~2.789%	2	-	營運週轉	-	-	-	"	"
0	本公司	南亞科技公司	應收關係人往來款	4,996,700	-	1.907%~2.800%	2	-	營運週轉	-	-	-	"	"
0	本公司	華亞科技公司	應收關係人往來款	60,000	-	2.794%	2	-	營運週轉	-	-	-	"	"
0	本公司	亞太投資公司	應收關係人往來款	3,330,600	2,808,300	1.907%~2.800%	2	-	營運週轉	-	-	-	"	"
0	本公司	台朔重工公司	應收關係人往來款	1,330,900	-	1.907%~2.776%	2	-	營運週轉	-	-	-	"	"

註一：1.為有業務往來者。

2.為短期融通資金之必要者。

註二：業務往來金額係進貨加銷貨之金額。

2.為他人背書保證：無。

3.期末持有有價證券情形：

持有之公司	有價證券種類及名稱	與有價證券發行人之關係	帳列科目	期 末				備註
				股數(千股或千單位)	帳面金額	持股比率	市價	
本公司	南電(香港)公司股票	本公司之子公司	採權益法之長期股權投資	966,420	6,457,592	100.00 %	-	無
本公司	南電(美國)公司股票	本公司之子公司	"	1,000	4,532	100.00 %	-	"
本公司	台塑石化公司股票	為本公司採權益法認列之公司	"	11,610	655,514	0.13 %	787,158	"
			小計		7,117,638			
本公司	台灣塑膠公司股票	本公司之母公司為該公司之法人董事	備供出售金融資產—非流動	6,300	274,680	0.11 %	274,680	"
本公司	台化纖維公司股票	董事長與本公司總經理為二等親	"	14,546	581,840	0.26 %	581,840	"
本公司	華亞科技公司股票	董事長為同一人	"	63,494	511,762	1.90 %	511,762	"
			小計		1,368,282			
本公司	國泰二號不動產投資信託基金	無	備供出售金融資產—流動	20,268	179,169	-	179,169	"
本公司	Antig Technology Corporation股票	"	以成本衡量之金融資產—非流動	1,132	-	5.48 %	-	"

## 南亞電路板股份有限公司財務報表附註(續)

4. 累積買進或賣出同一有價證券之金額達新台幣一億元或實收資本額百分之二十以上者：

買、賣之公司	有價證券種類及名稱	帳列科目	交易對象	關係	期 初		買 入		賣 出			期初未實現利益回轉數	期 末		
					股數(千股)	金額	股數(千股)	金額	股數(千股)	售價	帳面成本		處分(損)益	股數(千股)	金額
本公司	國泰全球貨幣市場	備供出售金融資產—流動	-	-	20,000	211,594	-	-	20,000	211,488	200,000	11,488	(11,594)	-	-
本公司	兆豐國際寶鑽債券基金	"	-	-	25,695	300,442	-	-	25,695	301,190	300,000	1,190	(442)	-	-
本公司	南電(香港)公司股票	採權益法之長期股權投資	南電(香港)公司	本公司之子公司	760,110	4,990,209	206,310	805,222	-	-	-	-	662,161 (註)	966,420	6,457,592

(註)其中含依權益法認列投資利益548,607千元及累積換算調整數調增113,554千元。

5. 取得不動產之金額達新台幣一億元或實收資本額百分之二十以上者：無。

6. 處分不動產之金額達新台幣一億元或實收資本額百分之二十以上者：無。

7. 與關係人進、銷貨之金額達新台幣一億元或實收資本額百分之二十以上者：

進(銷)貨之公司	交易對象	關係	交 易 情 形				交易條件與一般交易不同之情形及原因		應收(付)票據、帳款		備註
			進(銷)貨	金額	佔總進(銷)貨之比率	授信期間	單 價	授信期間	餘 額	佔總應收(付)票據、帳款之比率	
本公司	南亞塑膠公司	本公司之母公司	進貨	2,009,164	9.56 %	次月15日	-	-	(86,016)	8.18 %	-
"	南電(昆山)公司	本公司之子公司	進貨	7,455,759	35.49 %	次月15日	-	-	(294,558)	28.00 %	-
"	文方公司	董事長為同一人	進貨	144,075	0.69 %	月結90天	-	-	(34,905)	3.32 %	-
"	福懋科技公司	董事長與本公司總經理為二等親	(銷貨)	(538,441)	(1.44) %	月結75天	-	-	36,815	0.61 %	-
"	南亞科技公司	原與本公司董事長為同一人	(銷貨)	(139,118)	(0.37) %	月結90天	-	-	3,209	0.05 %	-

8. 應收關係人款項達新台幣一億元或實收資本額百分之二十以上者：

帳列應收款項之公司	交易對象	關係	應收關係人款項餘額	週轉率	逾期應收關係人款項		應收關係人款項期後收回金額	提列備抵呆帳金額
					金額	處理方式		
本公司	台化纖維公司	董事長與本公司總經理為二親等	應收關係人往來款 999,800	-	-	-	203,100	-
本公司	台塑石化公司	為本公司採權益法評價之公司	應收關係人往來款 756,100	-	-	-	756,100	-
本公司	亞太投資公司	本公司董事長為該公司之董事	應收關係人往來款 2,808,300	-	-	-	-	-

9. 從事衍生性商品交易：

本公司民國九十七年度從事衍生性商品交易資訊請詳財務報表附註四(二)、(十三)說明。

## 南亞電路板股份有限公司財務報表附註(續)

### (二)轉投資事業相關資訊：

#### 1.被投資公司名稱、所在地區...等相關資訊：

投資公司名稱	被投資公司名稱	所在地區	主要營業項目	原始投資金額		期末持有			被投資公司本期(損)益	本期認列之投資(損)益	備註
				本期期末	上期期末	股數(千股)	比率	帳面金額			
本公司	南電(香港)公司	香港	電子產品買賣	4,039,514 (USD 123,900 千元)	3,234,292 (USD 97,450 千元)	966,420	100.00 %	6,457,592	548,607	548,607	-
	南電(美國)公司	美國	客戶推廣	3,479 (USD 100 千元)	3,479 (USD 100 千元)	1,000	100.00 %	4,532	569	569	-
南電(香港)公司	南電(昆山)公司	大陸	印刷電路板製銷	USD 123,800 千元	USD 97,400 千元	-	100.00 %	6,456,100	511,411	511,411	-

#### 2.資金貸與他人：

編號	貸出資金之公司	貸與對象	往來科目	本期最高餘額	期末餘額	利率區間	資金貸與性質(註一)	業務往來金額(註二)	有短期融通資金必要之原因	提列備抵呆帳金額	擔保品		對個別對象資金貸與限額	資金貸與總限額
											名稱	價值		
1.	南電(昆山)公司	南亞銅箔(昆山)公司	應收關係人往來款	841,071	-	4.01%~6.13%	2	204,032	-	-	-	-	-	6,456,100
1.	南電(昆山)公司	必成玻纖(昆山)公司	應收關係人往來款	264,408	264,408	5.54%	2	-	-	-	-	-	-	"
1.	南電(昆山)公司	南亞織布染整(昆山)公司	應收關係人往來款	98,338	-	5.40%~5.54%	2	-	-	-	-	-	-	"
2.	南電(香港)公司	南電(昆山)公司	應收關係人往來款	330,712	330,712	3.13%	2	-	-	-	-	-	-	6,457,592

註：南電(昆山)公司報表所用之幣別為人民幣，以97.12.31新台幣(平均)：人民幣。4.8076(4.5373)：1之匯率轉換為台幣金額。

南電(香港)公司報表所用之幣別為港幣，以97.12.31新台幣(平均)：港幣=4.2399(4.0501)：1之匯率轉換為台幣金額。

註一：1.為有業務往來者。

2.為短期融通資金之必要者。

註二：業務往來金額係進貨加銷貨之金額。

#### 3.為他人背書保證：無。

#### 4.期末持有有價證券情形：

持有之公司	有價證券種類及名稱	與有價證券發行人之關係	帳列科目	期 末			備註	
				股數	帳面金額	持股比率		
南電(香港)公司	南電(昆山)公司	母子公司	採權益法之長期股權投資	-	6,456,100	100 %	6,456,100	-

#### 5.累積買進或賣出同一有價證券之金額達新台幣一億元或實收資本額百分之二十以上者：

買、賣之公司	有價證券種類及名稱	帳列科目	交易對象	關係	期 初		買 入		賣 出			評價(損)益(註)	期 末	
					股數	金額	股數	金額	股數	售價	帳面成本		處分損益	股數
南電(香港)公司	南電(昆山)公司	採權益法之長期股權投資	-	-	-	4,989,985	-	803,696	-	-	-	662,419	-	6,456,100

(註)其中含依權益法認列之投資利益及累積換算調整數。

南亞電路板股份有限公司財務報表附註(續)

- 6.取得不動產之金額達新台幣一億元或實收資本額百分之二十以上者：無。  
 7.處分不動產之金額達新台幣一億元或實收資本額百分之二十以上者：無。  
 8.與關係人進、銷貨之金額達新台幣一億元或實收資本額百分之二十以上者：

進(銷)貨之公司	交易對象	關係	交易情形				交易條件與一般交易不同之情形及原因		應收(付)票據、帳款		備註
			進(銷)貨	金額	佔總進(銷)貨之比率	授信期間	單價	授信期間	餘額	佔總應收(付)票據、帳款之比率	
南電(昆山)公司	本公司	母子公司	(銷貨)	(7,455,759)	(87.44)%	次月15日	-	-	294,558	73.93 %	-
"	南亞電子材料(昆山)公司	負責人為同一人	進貨	1,623,603	24.31 %	O/A90天	-	-	(127,993)	28.56 %	-
"	南亞銅箔(昆山)公司	負責人為同一人	進貨	209,032	3.13 %	O/A90天	-	-	(7,180)	1.60 %	-

- 9.應收關係人款項達新台幣一億元或實收資本額百分之二十以上者：

帳列應收款項之公司	交易對象	關係	應收關係人款項餘額	週轉率	逾期應收關係人款項		應收關係人款項期後收回金額	提列備抵呆帳金額
					金額	處理方式		
南電(昆山)公司	本公司	母子公司	應收帳款—關係人 294,558	18.60	-	-	294,558	-
"	必成玻纖(昆山)公司	南亞塑膠公司之子公司	應收關係人往來款 264,408	-	-	-	264,408	-

- 10.從事衍生性商品交易：

南電(昆山)公司持有之衍生性金融商品明細如下：

項 目	97.12.31	
	帳面金額	名目本金
公平價值變動列入損益之		
金融負債—流動：		
利率交換	\$ <u>12,669</u>	US14,600千元

南電(昆山)公司民國九十七年度從事衍生性金融商品所產生之淨利息收支如下：

	97年度
淨利息	
支 出	\$ <u>(583)</u>

南電(昆山)公司民國九十七年度從事衍生性金融商品所產生之未實現評價(損失)利益如下：

	97年度
利率交換合約	\$ <u>(12,669)</u>

南電(昆山)公司於民國九十七年度開始與美國銀行簽訂利率交換合約，主要係規避美金借款之利率波動風險。

## 南亞電路板股份有限公司財務報表附註(續)

### (三)大陸投資資訊：

#### 1.轉投資大陸地區之事業相關資訊

大陸被投資 公司名稱	主要營 業項目	實收資本額	投資方式	本期期初自 台灣匯出累 積投資金額	本期匯出或收 回投資金額		本期期末自 台灣匯出累 積投資金額	本公司直接 或間接投資 之持股比例	本期認列投 資損益(註)	期末投資 帳面價值	截至本期 止已匯回 投資收益
					匯 出	收 回					
南電(昆山) 公司	印刷電路板 製銷	USD123,800 千元	透過南電香港公司 轉投資	USD97,400 千元	USD26,400 千元	-	USD123,800 千元	100 %	511,411	6,456,100	-

(註)經臺灣母公司簽證會計師查核簽證之財務報表認列損益。

#### 2.轉投資大陸地區限額

本期期末累計自台灣匯出 赴大陸地區投資金額	經濟部投審會核准投資金額	依經濟部投審會規定 赴大陸地區投資限額
USD123,800千元	USD123,800千元	21,308,767 (註1)

註1：淨值之百分之六十。

#### 3.重大交易事項：

本公司民國九十七年度與大陸被投資公司直接或間接之重大交易事項，請詳「重大交易事項及轉投資事業相關資訊」項下說明。

### 十二、部門別財務資訊：

(一)產業別資訊：本公司主要係經營印刷電路板製造、銷售之單一產業。

(二)地區別資訊：本公司並無國外營業部門。

(三)外銷銷貨資訊：本公司民國九十七年度及九十六年度外銷銷貨收入金額明細如下：

地 區	97年度	96年度
亞 洲	\$ 26,995,734	25,440,088
美 洲	2,289,615	3,341,902
歐 洲	1,284,393	1,955,615
其 他	13,178	31,424
合 計	<u>\$ 30,582,920</u>	<u>30,769,029</u>

(四)重要客戶資訊：本公司民國九十七年度及九十六年度佔營業收入淨額10%以上之重要客戶明細如下：

	97年度		96年度	
	金 額	所佔比率(%)	金 額	所佔比率(%)
甲公司	\$ 11,675,341	31.30	9,464,492	24.45
乙公司	4,469,463	11.98	5,522,181	14.27
丙公司	3,092,487	8.29	5,140,998	13.28
	<u>\$ 19,237,291</u>	<u>51.57</u>	<u>20,127,671</u>	<u>52.00</u>

( )

201 36 3

(02) 2712-2211

	123
	124
	125
	126
	127
	128
	129
	130
( )	131
( )	131~136
( )	137
( )	137~155
( )	155~160
( )	160
( )	160
( )	160
( )	160
( )	161
( )	
1.	161~163
2.	163~165
3.	166
4.	166~167
( )	167~168

## 聲 明 書

本公司民國九十七年度（自九十七年一月一日至九十七年十二月三十一日止）依「關係企業合併營業報告書關係企業合併財務報表及關係報告書編製準則」應納入編製關係企業合併財務報表之公司與依財務會計準則公報第七號應納入編製母子公司合併財務報表之公司均相同，且關係企業合併財務報表所應揭露相關資訊於前揭母子公司合併財務報表中均已揭露，爰不再另行編製關係企業合併財務報表。

特此聲明

公司名稱：南亞電路板股份有限公司

董 事 長：吳 欽 仁

日 期：民國九十八年三月六日

## 會計師查核報告

南亞電路板股份有限公司董事會 公鑒：

南亞電路板股份有限公司及其子公司民國九十七年及九十六年十二月三十一日之合併資產負債表，暨截至各該日止之民國九十七年度及九十六年度之合併損益表、合併股東權益變動表及合併現金流量表，業經本會計師查核竣事。上開合併財務報表之編製係管理階層之責任，本會計師之責任則為根據查核結果對上開財務報表表示意見。南亞電路板股份有限公司及其子公司採權益法評價之長期股權投資中，有關台塑石化股份有限公司之財務報表未經本會計師查核，而係由其他會計師查核，因此本會計師對上開合併財務報表所表示之意見中，有關台塑石化股份有限公司財務報表所列之金額，係依據其他會計師之查核報告。民國九十七年及九十六年十二月三十一日對台塑石化股份有限公司認列之長期股權投資金額分別為655,514千元及714,342千元，分別占合併資產總額之1.48%及1.42%，民國九十七年度及九十六年度所認列之投資收益分別為18,959千元及86,999千元，分別占合併稅前淨利之0.23%及0.86%。

本會計師係依照會計師查核簽證財務報表規則及一般公認審計準則規劃並執行查核工作，以合理確信合併財務報表有無重大不實表達。此項查核工作包括以抽查方式獲取合併財務報表所列金額及所揭露事項之查核證據、評估管理階層編製合併財務報表所採用之會計原則及所作之重大會計估計，暨評估合併財務報表整體之表達。本會計師相信此項查核工作及其他會計師之查核報告可對所表示之意見提供合理之依據。

依本會計師之意見，基於本會計師之查核結果及其他會計師之查核報告，第一段所述合併財務報表在所有重大方面係依照證券發行人財務報告編製準則及一般公認會計原則編製，足以允當表達南亞電路板股份有限公司及其子公司民國九十七年及九十六年十二月三十一日之合併財務狀況，暨截至各該日止之民國九十七年度及九十六年度之合併經營成果與合併現金流量。

安 侯 建 業 會 計 師 事 務 所

寇 惠 植

會 計 師：

吳 秋 華

證券主管機關：台財證六字第0930106739號  
核准簽證文號：(88)台財證(六)第18311號  
民國九十八年三月六日

南亞電路板股份有限公司及其子公司

合併資產負債表

民國九十七年及九十六年十二月三十一日

單位：新台幣千元

	97.12.31		96.12.31			97.12.31		96.12.31			
	金額	%	金額	%		金額	%	金額	%		
<b>資 產</b>											
<b>流動資產：</b>											
1100	現金及約當現金(附註四(一))	\$ 9,446,943	22	5,773,090	13	2100	短期借款(附註四(八))	\$ 591,422	1	1,297,320	3
1310	公平價值變動列入損益之金融資產－流動 (附註四(二))	-	-	442,074	1	2140	應付帳款	931,964	2	2,509,368	5
1320	備供出售金融資產－流動(附註四(二))	179,169	-	736,860	1	2150	應付帳款－關係人(附註五)	263,841	1	951,619	2
1140	應收票據及帳款淨額(附註四(三))	6,108,561	14	9,654,524	19	2180	公平價值變動列入損益之金融負債－流動 (附註四(二))	12,669	-	-	-
1150	應收帳款－關係人淨額(附註五)	40,024	-	94,489	-	2170	應付費用(附註四(十))	1,392,584	3	1,834,918	4
1160	其他應收款(附註五)	156,082	-	132,771	-	2190	應付關係人往來款(附註五)	125,894	-	-	-
1180	應收關係人往來款(附註五)	4,924,908	11	7,351,696	15	2210	其他應付款項	776,885	2	830,313	2
1210	存貨(附註四(四))	3,245,593	7	3,615,902	7	2272	一年內到期之長期借款(附註四(九))	1,128,083	2	1,086,505	2
1260	預付款項	60,916	-	99,692	-	2280	其他流動負債	70,798	-	92,821	-
1280	其他流動資產	51,215	-	89,825	-	2286	遞延所得稅負債－流動(附註四(十一))	9,348	-	-	-
1286	遞延所得稅資產－流動(附註四(十一))	-	-	14,407	-	21xx	<b>流動負債合計</b>	<u>5,303,488</u>	<u>11</u>	<u>8,602,864</u>	<u>18</u>
11xx	<b>流動資產合計</b>	<u>24,213,411</u>	<u>54</u>	<u>28,005,330</u>	<u>56</u>	2420	<b>長期借款(附註四(九))</b>	<u>2,258,313</u>	<u>5</u>	<u>1,962,196</u>	<u>4</u>
<b>基金及投資：</b>											
1421	採權益法之長期股權投資(附註四(五))	655,514	2	714,342	1	2810	應計退休金負債(附註四(十))	731,428	2	702,560	-
1450	備供出售金融資產－非流動(附註四(二))	1,368,282	3	3,413,044	7	2820	存入保證金	82,963	-	71,942	-
1480	以成本衡量之金融資產－非流動(附註四(二))	-	-	32,864	-	2861	遞延所得稅負債－非流動(附註四(十一))	<u>465,860</u>	<u>1</u>	<u>318,806</u>	<u>1</u>
	<b>基金及投資合計</b>	<u>2,023,796</u>	<u>5</u>	<u>4,160,250</u>	<u>8</u>	28xx	<b>其他負債合計</b>	<u>1,280,251</u>	<u>3</u>	<u>1,093,308</u>	<u>1</u>
<b>固定資產(附註四(六)及五)：</b>											
<b>成 本：</b>											
1521	房屋及建築	2,442,594	6	2,257,130	4	3110	<b>負債合計</b>	<u>8,842,052</u>	<u>19</u>	<u>11,658,368</u>	<u>23</u>
1531	機器設備	28,325,284	64	24,412,212	49	3200	<b>股東權益(附註四(十二))：</b>				
1551	運輸設備	10,353	-	10,618	-	3310	普通股股本	6,181,574	14	6,179,284	12
1681	其他設備	<u>2,498,199</u>	<u>6</u>	<u>2,367,835</u>	<u>5</u>	3320	資本公積	21,752,215	49	21,752,215	44
	小計	33,276,430	76	29,047,795	58	3351	法定盈餘公積	2,931,433	7	2,077,979	4
15X9	減：累積折舊	(15,838,790)	(36)	(12,655,719)	(25)	3420	特別盈餘公積	672,510	2	672,510	1
1671	未完工程	468,871	1	1,431,371	3	3450	未分配盈餘	6,692,421	15	8,576,344	17
1672	預付設備款	<u>87,597</u>	<u>-</u>	<u>104,808</u>	<u>-</u>	3510	累積換算調整數	51,913	-	(61,716)	-
15xx	<b>固定資產淨額</b>	<u>17,994,108</u>	<u>41</u>	<u>17,928,255</u>	<u>36</u>		金融商品未實現損益	(1,525,237)	(3)	555,072	1
<b>無形資產：(附註四(七))</b>											
1781	專門技術	74,924	-	24,573	-		庫藏股票	<u>(1,242,218)</u>	<u>(3)</u>	<u>(1,242,218)</u>	<u>(2)</u>
1782	土地使用權	<u>42,811</u>	<u>-</u>	<u>47,290</u>	<u>-</u>		<b>股東權益合計</b>	<u>35,514,611</u>	<u>81</u>	<u>38,509,470</u>	<u>77</u>
	<b>無形資產合計</b>	<u>117,735</u>	<u>-</u>	<u>71,863</u>	<u>-</u>		<b>重大承諾事項及或有事項(附註七)</b>				
<b>其他資產：</b>											
1820	存出保證金	2,154	-	2,140	-						
1830	遞延費用	<u>5,459</u>	<u>-</u>	<u>-</u>	<u>-</u>						
18xx	<b>其他資產合計</b>	<u>7,613</u>	<u>-</u>	<u>2,140</u>	<u>-</u>						
1xxx	<b>資產總計</b>	<u>\$ 44,356,663</u>	<u>100</u>	<u>50,167,838</u>	<u>100</u>	1xxx	<b>負債及股東權益總計</b>	<u>\$ 44,356,663</u>	<u>100</u>	<u>50,167,838</u>	<u>100</u>

(請詳閱後附合併財務報表附註)

董事長：吳 欽 仁

經理人：張 家 鈞

會計主管：黃 文 惠

南亞電路板股份有限公司及其子公司

合併損益表

民國九十七年及九十六年一月一日至十二月三十一日

單位：新台幣千元

	97年度		96年度	
	金額	%	金額	%
4110 銷貨收入(附註五)	\$ 38,434,229	100	40,065,617	100
4170 減：銷貨退回及折讓	(606,654)	(1)	(504,138)	(1)
4100 銷貨收入淨額	37,827,575	99	39,561,479	99
4800 其他營業收入	491,112	1	611,688	1
4000 營業收入淨額	38,318,687	100	40,173,167	100
5000 營業成本(附註四(七)及五)	(29,454,216)	(77)	(29,346,884)	(73)
5910 營業毛利	8,864,471	23	10,826,283	27
營業費用(附註五)：				
6100 推銷費用	(530,762)	(1)	(622,684)	(2)
6200 管理費用	(1,105,799)	(3)	(998,683)	(2)
6000 營業費用合計	(1,636,561)	(4)	(1,621,367)	(4)
6900 營業淨利	7,227,910	19	9,204,916	23
營業外收入及利益：				
7110 利息收入(附註五)	352,617	1	425,157	1
7121 權益法認列之投資收益(附註四(五))	18,959	-	86,999	-
7122 股利收入	144,032	-	247,291	1
7130 處分固定資產利益	5,841	-	8,799	-
7140 處分投資利益	12,678	-	66,654	-
7160 兌換利益淨額	370,522	1	200,865	-
7310 金融資產評價利益(附註四(二))	-	-	21	-
7320 金融負債評價利益(附註四(二))	-	-	20,232	-
7220 出售廢料收入	374,099	1	277,464	1
7480 什項收入	155,621	-	145,089	-
7100 營業外收入及利益合計	1,434,369	3	1,478,571	3
營業外費用及損失：				
7510 利息費用(附註四(六)及五)	(170,860)	-	(255,131)	(1)
7530 處分固定資產損失	(1,163)	-	(95)	-
7630 減損損失(附註四(二))	(32,864)	-	-	-
7640 金融資產評價損失(附註四(二))	(2,074)	-	-	-
7650 金融負債評價損失(附註四(二))	(12,669)	-	-	-
7570 存貨跌價及呆滯損失	(33,666)	-	-	-
7880 什項支出	(167,220)	-	(291,742)	(1)
7500 營業外費用及損失合計	(420,516)	-	(546,968)	(2)
7900 本期稅前淨利	8,241,763	22	10,136,519	24
8110 所得稅費用(附註四(十一))	(1,594,553)	(4)	(1,601,975)	(4)
合併總利益	\$ 6,647,210	18	8,534,544	20
	稅前	稅後	稅前	稅後
9750 基本每股盈餘(元)(附註四(十三))	\$ 13.47	10.86	16.55	13.94
9850 稀釋每股盈餘(元)(附註四(十三))	\$ 13.46	10.86	16.52	13.91

(請詳閱後附合併財務報表附註)

董事長：吳 欽 仁

經理人：張 家 鈞

會計主管：黃 文 惠

南亞電路板股份有限公司及其子公司  
合併股東權益變動表  
民國九十七年及九十六年一月一日至十二月三十一日

單位：新台幣千元

	普通股本	資本公積	保留盈餘			累積換算調整數	金融商品未實現利益(損失)	庫藏股票	合計
			法定盈餘公積	特別盈餘公積	未分配盈餘				
民國九十六年一月一日期初餘額	\$ 6,014,487	21,746,729	1,053,947	672,510	10,284,081	(36,605)	681,553	-	40,416,702
民國九十六年股東常會盈餘分配：									
提列法定盈餘公積	-	-	1,024,032	-	(1,024,032)	-	-	-	-
現金股利	-	-	-	-	(9,045,789)	-	-	-	(9,045,789)
股票股利	156,377	-	-	-	(156,377)	-	-	-	-
員工紅利	-	-	-	-	(12,719)	-	-	-	(12,719)
董監酬勞	-	-	-	-	(3,364)	-	-	-	(3,364)
買回庫藏股	-	-	-	-	-	-	-	(2,036,055)	(2,036,055)
轉讓庫藏股予員工	-	4,616	-	-	-	-	-	793,837	798,453
員工執行認股權發行新股	8,420	870	-	-	-	-	-	-	9,290
民國九十六年度淨利	-	-	-	-	8,534,544	-	-	-	8,534,544
備供出售金融商品未實現損失	-	-	-	-	-	-	(126,481)	-	(126,481)
國外營運機構外幣換算調整數	-	-	-	-	-	(25,111)	-	-	(25,111)
民國九十六年十二月三十一日餘額	6,179,284	21,752,215	2,077,979	672,510	8,576,344	(61,716)	555,072	(1,242,218)	38,509,470
民國九十七年股東常會盈餘分配：									
提列法定盈餘公積	-	-	853,454	-	(853,454)	-	-	-	-
現金股利	-	-	-	-	(7,672,316)	-	-	-	(7,672,316)
員工紅利	-	-	-	-	(1,996)	-	-	-	(1,996)
董監酬勞	-	-	-	-	(3,367)	-	-	-	(3,367)
員工執行認股權發行新股	2,290	-	-	-	-	-	-	-	2,290
民國九十七年度淨利	-	-	-	-	6,647,210	-	-	-	6,647,210
備供出售金融商品未實現損失	-	-	-	-	-	-	(2,080,309)	-	(2,080,309)
國外營運機構外幣換算調整數	-	-	-	-	-	113,629	-	-	113,629
民國九十七年十二月三十一日餘額	\$ 6,181,574	21,752,215	2,931,433	672,510	6,692,421	51,913	(1,525,237)	(1,242,218)	35,514,611

(請詳閱後附合併財務報表附註)

董事長：吳 欽 仁

經理人：張 家 鈺

會計主管：黃 文 惠

南亞電路板股份有限公司及其子公司

合併現金流量表

民國九十七年及九十六年一月一日至十二月三十一日

單位：新台幣千元

	97年度	96年度
<b>營業活動之現金流量：</b>		
本期淨利	\$ 6,647,210	8,534,544
<b>調整項目：</b>		
折舊費用	3,392,312	3,235,996
各項攤銷	15,393	12,164
存貨未實現跌價損失	33,666	-
壞帳費用	-	28,655
壞帳回轉利益	(46,019)	-
處分投資利益	(12,678)	(66,654)
金融資產評價損失(利益)	2,074	(21)
金融負債評價損失(利益)	12,669	(5,909)
權益法認列長期股權投資利益淨額	(18,959)	(86,999)
減損損失	32,864	-
採權益法之長期投資現金股利	77,787	51,084
處分固定資產利益淨額	(4,678)	(8,704)
未實現兌換損失(利益)淨額	(21,323)	276,085
應收票據及帳款減少(增加)數	3,672,578	(1,085,525)
其他應收款減少(增加)數	(23,311)	54,131
存貨減少(增加)數	336,643	(794,144)
預付款項及其他流動資產減少(增加)數	77,386	(102,352)
遞延所得稅資產淨減少數	170,809	261,375
應付票據及帳款增加(減少)數	(2,269,990)	514,761
應付費用增加(減少)數	(442,334)	119,836
其他應付款增加(減少)數	(53,428)	11,743
其他流動負債增加(減少)數	(22,023)	32,479
應計退休金負債增加數	28,868	31,561
<b>營業活動之淨現金流入</b>	<u>11,585,516</u>	<u>11,014,106</u>
<b>投資活動之現金流量：</b>		
購置固定資產	(3,360,843)	(3,908,805)
處分固定資產價款	38,036	292,121
應收關係人往來款減少(增加)數	2,426,788	(2,804,796)
指定公平價值變動列入損益之金融資產增加數	-	(470,000)
備供出售金融資產增加數	-	(600,000)
指定公平價值變動列入損益及備供出售金融商品出售價款	974,821	3,447,954
存出保證金減少(增加)數	(14)	446
專門技術增加	(64,356)	-
土地使用權減少數	3,746	-
遞延費用增加數	(5,444)	-
其他金融資產減少數	-	2,586,702
<b>投資活動之淨現金流入(出)</b>	<u>12,734</u>	<u>(1,456,378)</u>
<b>融資活動之現金流量：</b>		
短期借款增加(減少)數	(705,898)	257,183
長期借款增加(減少)數	337,695	(395,308)
員工執行認股權	2,290	9,290
償還一年內到期之公司債	-	(1,088,000)
存入保證金增加(減少)數	11,021	(6,936)
應付關係人往來款增加(減少)數	125,894	(871,259)
分派董監酬勞	(3,367)	(3,364)
分派員工紅利	(1,996)	(12,719)
現金股利	(7,672,316)	(9,045,789)
庫藏股買回	-	(2,036,055)
轉讓庫藏股予員工	-	798,453
<b>融資活動之淨現金流出</b>	<u>(7,906,677)</u>	<u>(12,394,504)</u>
匯率影響數	(17,720)	4,440
<b>本期現金及約當現金增加(減少)數</b>	3,673,853	(2,832,336)
<b>期初現金及約當現金餘額</b>	5,773,090	8,605,426
<b>期末現金及約當現金餘額</b>	<u>\$ 9,446,943</u>	<u>\$ 5,773,090</u>
<b>現金流量資訊之補充揭露：</b>		
本期支付所得稅	<u>\$ 1,496,588</u>	<u>1,430,648</u>
本期支付利息	<u>\$ 171,433</u>	<u>280,695</u>
<b>不影響現金流量之投資及融資活動：</b>		
現金股利尚未發放帳列其他應付款項	<u>\$ 343</u>	<u>415</u>
董監酬勞尚未發放帳列其他應付款項	<u>\$ 1,117</u>	<u>1,116</u>
一年內到期長期負債	<u>\$ 1,128,083</u>	<u>1,086,505</u>

(請詳閱後附合併財務報表附註)

董事長：吳 欽 仁

經理人：張 家 鈞

會計主管：黃 文 惠

**南亞電路板股份有限公司及其子公司**  
**合併財務報表附註**  
**民國九十七年及九十六年十二月三十一日**  
**(除另有註明者外，所有金額均以新台幣千元為單位)**

**一、公司沿革**

南亞電路板股份有限公司(以下簡稱本公司)於民國八十六年十月二十八日奉經濟部核准設立，主要業務為經營印刷電路板之製造銷售。截至民國九十七年及九十六年十二月三十一日止，南亞電路板公司員工人數分別約為5,878人及5,959人。

南亞電路板(美國)公司(以下簡稱南電美國公司)於西元二〇〇二年六月十三日設立於美國亞歷桑那州(ARIZONA)，主要經營項目為客戶推廣及其他相關服務。本公司持有其100%之股權。截至民國九十七年及九十六年十二月三十一日止，南電美國公司員工人數分別為5人及4人。

南亞電路板(香港)有限公司(以下簡稱南電香港公司)於西元一九九九年八月四日設立於香港，以電子產品買賣及投資業務為其主要營業項目。本公司持有其100%之股權。

南亞電路板(昆山)有限公司(以下簡稱南電昆山公司)於西元二〇〇〇年八月七日設立於中國大陸江蘇省昆山市，主要經營項目為印刷電路板之製造銷售。南電香港公司持有其100%之股權。截至民國九十七年及九十六年十二月三十一日止，南電昆山公司員工人數分別約為4,845人及5,003人。

於民國九十七年及九十六年十二月三十一日，本公司對具有控制能力之子公司(以下合稱本公司及子公司為合併公司)之業務性質暨持股比例列示如下：

<u>投資公司名稱</u>	<u>子公司名稱</u>	<u>業務性質</u>	<u>所持股權百分比</u>	
			<u>97.12.31</u>	<u>96.12.31</u>
本公司	南電美國公司	客戶推廣及其他相關服務	100 %	100 %
本公司	南電香港公司	電子產品買賣及投資業務	100 %	100 %
南電香港公司	南電昆山公司	印刷電路板之製造銷售	100 %	100 %

**二、重要會計政策之彙總說明**

合併公司財務報表係依照證券發行人財務報告編製準則及一般公認會計原則編製。重要會計政策及衡量基礎彙總說明如下：

**(一)合併財務報表編製基礎**

合併公司於編製合併財務報表時係以本公司及本公司對其具有控制力之子公司之財務報表予以合併。年度中取得子公司之控制能力之日起，開始將子公司之收益與費損編入合併報表中；於喪失對子公司之控制能力之日起，終止將子公司收益與費損編入合併財務報表。合併公司之重大內部交易均予沖銷。子公司中南電美國公司、南電香港公司及南電昆山公司之功能性貨幣均為美金，應依第十四號財務會計準則公報再衡量及換算。

## 南亞電路板股份有限公司及其子公司合併財務報表附註(續)

### (二)會計估計

合併公司於編製財務報表時，業已依規定對財務報表所列資產、負債、收益、費損及或有事項，採用必要之假設及估計加以衡量、評估與揭露，惟該等估計與實際結果可能存有差異。

### (三)外幣交易及外幣財務報表之換算

合併公司皆以當地貨幣為記帳單位，惟合併子公司中非以當地貨幣為功能性貨幣者，則先將其外幣財務報表以功能性貨幣再衡量，因再衡量所產生之換算差額，列入當期之兌換損益；另因外幣財務報表換算為本國貨幣所產生之換算差額，及對國外營運機構具有長期投資性質之外幣墊款所產生之兌換差額，列入股東權益項下之外幣換算調整數。非衍生性商品之外幣交易依交易日之即期匯率入帳；資產負債表日之外幣貨幣性資產或負債，依當日之即期匯率換算，產生之兌換差額列為當期損益。外幣非貨幣性資產或負債按交易日之歷史匯率衡量；但以公平價值衡量之外幣非貨幣性資產或負債，則按資產負債表日即期匯率換算，如屬公平價值變動認列為當期損益者，兌換差額亦認列為當期損益；如屬公平價值變動認列為股東權益調整項目者，兌換差額亦認列為股東權益調整項目。

### (四)資產與負債區分流動與非流動之分類標準

用途未受限制之現金或約當現金；因營業所產生之資產，預期將於正常營業週期中變現、消耗或意圖出售者；為交易目的而持有之資產；預期將於資產負債表日後十二個月內變現之資產，列為流動資產；非屬流動資產者列為非流動資產。

負債預期於資產負債表日後十二個月內清償者列為流動負債；非屬流動負債者列為非流動負債。

### (五)資產減損

合併公司於資產負債表日就有減損跡象之資產(個別資產或現金產生單位)，估計其可回收金額，就可回收金額低於帳面價值之資產，認列減損損失。商譽以外之資產，於以前年度所認列之累積減損損失，嗣後若已不存在或減少，即予迴轉，增加資產帳面價值至可回收金額，惟不超過資產在未認列減損損失下，減除應提列折舊或攤銷後之數。

商譽、民國九十六年一月一日起非確定耐用年限無形資產及尚未可供使用之無形資產，每年定期進行減損測試，並就可回收金額低於帳面價值之部分，認列減損損失。

### (六)約當現金

合併公司所稱約當現金，係指隨時可轉換成定額現金且即將到期，而其利率變動對價值影響甚少之短期且具高度流動性之投資，包括投資日起三個月內到期或清償之國庫券、商業本票、銀行承兌匯票等。

## 南亞電路板股份有限公司及其子公司合併財務報表附註(續)

### (七)金融資產及負債

合併公司對金融商品係採交易日會計，於原始認列時，將金融商品以公平價值衡量，除以公平價值衡量且公平價值變動認列為損益之金融商品外，其他金融商品之原始認列金額則加計取得或發行之交易成本。

合併公司所持有或發行之金融商品，在原始認列後，依合併公司持有或發行之目的，分為下列各類：

- 1.以公平價值衡量且公平價值變動認列為損益之金融資產或負債：此類金融商品包括以交易為目的及原始認列時指定以公平價值衡量且公平價值變動列為損益兩類。以交易為目的之金融商品係因其取得或發生之主要目的為短期內出售或再買回之交易目的金融商品，合併公司所持有之衍生性商品，除被指定且為有效之避險工具外，餘應歸類為此類金融資產。所持有之金融商品如為應分別認列主契約及嵌入式衍生性商品之混合商品，但無法於取得時或後續資產負債表日個別衡量嵌入式衍生性商品或為可消除或重大減少會計不一致之金融商品，於原始認列時，將指定為以公平價值衡量且公平價值變動認列為損益之金融資產及負債。
- 2.備供出售金融資產：係以公平價值評價，除減損損失及貨幣性金融資產外幣兌換損益外，於金融資產除列前，認列為股東權益調整項目。於除列時，將累積之利益或損失列入當期損益。若有減損之客觀證據，則認列減損損失。若後續期間減損金額減少，備供出售權益商品之減損減少金額，認列為股東權益調整項目；備供出售債務商品之減損減少金額若明顯與認列減損後發生之事件有關，則予以迴轉並認列為當期損益。
- 3.以成本衡量之金融資產：無法可靠衡量公平價值之權益商品投資，以原始認列之成本衡量。若有減損之客觀證據，則認列減損損失，此減損金額不予迴轉。

### (八)備抵壞帳

備抵壞帳之提列係依各應收款項之可收現性評估提列。備抵壞帳金額之決定，係依據過去收款經驗、帳齡分析並考量內部授信政策後提列。

### (九)存貨

存貨係以成本（按月加權平均法計算）與市價孰低法為評價基礎，以重置成本或淨變現價值為市價。

### (十)採權益法之長期股權投資

合併公司持有被投資公司有表決權股份比例達百分之二十以上，或未達百分之二十但具有重大影響力者，採權益法評價。

合併公司依「採權益法之長期股權投資會計處理準則」之規定，對投資成本與取得股權淨值之差額認列為商譽。以前年度投資成本與股權淨值間之差額因無法分析原因選擇採五年攤銷之餘額，自民國九十五年一月一日起不再攤銷。

## 南亞電路板股份有限公司及其子公司合併財務報表附註(續)

採權益法之長期股權投資出售時，以售價與處分日該投資帳面價值之差額，作為長期股權投資處分損益，帳上如有因長期股權投資產生之資本公積餘額時，則按出售比例轉列當期損益。

合併公司與採權益法評價之被投資公司間相互持股時，其投資損益採庫藏股票法計算。與被投資公司間交易所產生之損益尚未實現者，予以遞延。交易損益如屬折舊性或攤銷性之資產所產生者，依其效益年限逐年承認；其他類資產所產生者，於實現年度承認。

### (十一) 固定資產及其折舊

固定資產以取得成本為入帳基礎。為購建設備並正在進行使該資產達到可使用狀態前所發生之利息予以資本化，列入相關資產成本。維護及修理費用列為發生當期費用；重大增添、改良及重置支出，予以資本化。

折舊係按定率遞減法以成本依估計耐用年數計提。折舊性資產耐用年限屆滿仍繼續使用者，就其殘值自該屆滿日起估計尚可使用年限繼續提列折舊。

本公司自民國九十七年十一月二十日起，依中華民國會計研究發展基金會解釋函 97.11.20基秘字第340號，將固定資產於非用以生產存貨之期間所估計之拆除或復原義務列為固定資產成本。而一項固定資產之任一組成部分，相對於總成本而言係屬重大時，則該部分係個別提列折舊。本公司每年定期於會計年度終了時，評估固定資產剩餘耐用年限、折舊方法及殘值。剩餘耐用年限、折舊方法及殘值之變動，均視為會計估計變動。

主要固定資產之耐用年數如下：

1. 房屋及建築：25~35年
2. 機器設備：3~14年
3. 運輸設備：2~5年
4. 其他設備：2~15年

處分固定資產之損益列為營業外收益及費損。

### (十二) 無形資產

合併公司自民國九十六年一月一日起適用財務會計準則公報第三十七號「無形資產之會計處理準則」。依該號公報規定，除政府捐助所得之無形資產按公平價值認列外，原始認列無形資產時以成本衡量。續後，以成本加依法令規定之重估增值，再減除累計攤銷及累計減損後之金額作為帳面價值。

攤銷時以原始成本減除殘值後之金額為可攤銷金額，並於已達可供使用狀態開始時，於耐用年限期間以直線法攤銷。各項無形資產耐用年限如下：

- 技術合作費：8~15年
- 土地使用權：50年

## 南亞電路板股份有限公司及其子公司合併財務報表附註(續)

每年至少於會計年度終了時評估無形資產之殘值、攤銷期間及攤銷方法。殘值、攤銷期間及攤銷方法之變動，均視為會計估計變動。

### (十三)退休金

本公司訂有職工退休辦法，凡正式員工服務滿一定年資或屆滿一定年齡或身體殘廢不堪勝任職務者，得申請或由公司通知其退休。依該辦法規定，員工退休金之支付，係根據服務年資所獲得之基數及其退休前六個月之平均薪資計算。其中所獲得之基數係依每位員工前十五年之服務，每服務滿一年可獲得二個基數，自第十六年起，每服務滿一年可獲得一個基數計算而得，總計最高以四十五個基數為限。在該退休辦法下，退休金給付全數由本公司負擔。自民國九十四年七月一日起配合勞工退休金條例（以下簡稱「新制」）之實施，原適用該辦法之員工如經選擇適用新制後之服務年資或新制施行後到職之員工其服務年資改採確定提撥制，其退休金之給付由本公司按月以每月工資百分之六提繳退休金，儲存於勞工退休金個人專戶。

本公司採用財務會計準則公報第十八號「退休金會計處理準則」，採確定給付退休辦法部份以年度資產負債表日為衡量日完成精算，其累積給付義務超過退休基金資產公平價值部份，於資產負債表認列最低退休金負債。並依該公報之規定認列淨退休金成本，包括當期服務成本等及過渡性淨資產、前期服務成本與退休金損益依員工平均剩餘服務年限採直線法攤銷。本公司依勞動基準法之規定，按月依薪資總額百分之二提撥勞工退休準備金，專戶儲存於台灣銀行。

採確定提撥退休辦法部份，本公司依勞工退休金條例之規定，依勞工每月工資百分之六之提繳率，提撥至勞工保險局，提撥數列為當期費用。

南電美國公司之退休金係採確定提撥制之退休計劃，每年依計劃規定提撥一定數額之退休基金，並計入當期相關成本及費用。

南電香港公司因未聘僱固定人員，故無退休金負債之認列。

南電昆山公司於大陸地區受當地相關規定約束，依當地政府規定按月依工資總額之18%提列職工退休養老基金，並繳納至相關主管機關。

### (十四)庫藏股票

合併公司收回已發行之股票，採用財務會計準則公報第三十號「庫藏股票會計處理準則」，依買回時所支付之成本認列為庫藏股票。處分庫藏股票之處分價格高於帳面價值，其差額列為資本公積—庫藏股票交易；處分價格低於帳面價值，其差額則沖抵同種類庫藏股票之交易所產生之資本公積，如有不足，則借記保留盈餘。庫藏股票之帳面價值採加權平均並依收回原因分別計算。

庫藏股票註銷時，按股權比例借記資本公積—股票發行溢價與股本，其帳面價值如高於面值與股票發行溢價之合計數時，其差額則沖抵同種類庫藏股票所產生之資本公積，如有不足，則沖抵保留盈餘；其帳面價值低於面值與股票發行溢價之合計數者，則貸記同種類庫藏股票交易所產生之資本公積。

## 南亞電路板股份有限公司及其子公司合併財務報表附註(續)

### (十五)股份基礎給付交易

本公司採用內含價值法認列酬勞性員工認股選擇權計畫之酬勞成本，亦即按衡量日本公司股票市價與行使價格間之差額估計為酬勞成本，並於員工認股選擇權計畫所規定之員工服務年限內認列為本公司之費用，同時增加本公司之股東權益。本公司員工認股權計畫之給與日或修正日於會計研究發展基金會解釋函適用日(93年1月1日)之前者，依規定不予追溯調整。

### (十六)收入認列原則

合併公司營業收入係於商品交付且風險及報酬移轉時認列。

### (十七)員工紅利及董監酬勞

本公司對於民國九十七年度(含)以後之盈餘，依公司法及本公司章程規定分配之員工紅利及董監酬勞時，係依會計研究發展基金會(96)基秘字第052號解釋函，於報導期中及年度財務報表，先行估計擬分配之員工紅利及董監酬勞金額，並依員工紅利及董監酬勞之性質列為營業成本或營業費用項下之適當會計科目。嗣後股東會決議分配金額與財務報表估列數如有差異，視為估計變動，列為分配當期損益。

### (十八)所得稅

合併公司之所得稅會計處理係採用財務會計準則公報第二十二號「所得稅之會計處理準則」，所得稅之估計以會計所得為基礎，資產及負債之帳面價值與課稅基礎之差異，依預計回轉年度之適用稅率計算認列為遞延所得稅。並將應課稅之暫時性差異所產生之所得稅影響數認列為遞延所得稅負債，與將可減除暫時性差異、虧損扣抵及所得稅抵減所產生之所得稅影響數認列為遞延所得稅資產，再評估遞延所得稅資產之可實現性，認列其備抵評價金額。

遞延所得稅資產或負債依其相關資產或負債之分類，劃分為流動或非流動項目，非與資產或負債相關者，則依預期回轉期間之長短，劃分為流動或非流動項目。

本公司未分配盈餘加徵百分之十營利事業所得稅部分，列為股東會決議分派盈餘之日所屬年度之當期費用。

### (十九)普通股每股盈餘

普通股每股盈餘，係以本期淨利除以本公司普通股流通在外加權平均股數計算之，凡有現金增資者，則以其流通期間計算加權平均股數；但以保留盈餘及資本公積轉增資發行之股數，則採追溯調整計算。合併公司所發行之認股權證屬潛在普通股，潛在普通股如均未具稀釋作用，僅揭露基本每股盈餘，反之，則除揭露基本每股盈餘外，並揭露稀釋每股盈餘。稀釋每股盈餘，則假設所有具稀釋作用之潛在普通股均於當期流通在外，故本期淨利及流通在外普通股股數均須調整所有具稀釋作用潛在普通股之影響。

## 南亞電路板股份有限公司及其子公司合併財務報表附註(續)

### 三、會計變動之理由及其影響

- (一)合併公司自民國九十六年一月一日起，首次適用財務會計準則公報第三十七號「無形資產之會計處理準則」，依該公報規定，合併公司於開始適用日重新評估已認列無形資產之耐用年限或攤銷方法，並無應予變更之情事。
- (二)合併公司自民國九十七年一月一日起，首次適用財務會計準則公報第三十九號「股份基礎給付之會計處理準則」及會計研究發展基金會(96)基秘字第052號解釋函，依公報及解釋函規定分類、衡量及揭露股份基礎給付交易及員工分紅，造成民國九十七年度合併總利益減少5,286千元，對每股盈餘影響不大。

### 四、重要會計科目之說明

#### (一)現金及約當現金

民國九十七年及九十六年十二月三十一日現金及約當現金科目餘額內容如下：

	<b>97.12.31</b>	<b>96.12.31</b>
現金	\$ 154	15
支票存款	134,562	108,561
活期存款	11,664	20,516
外幣活期存款	107,208	830,202
定期存款	612,224	570,415
約當現金—短期票券	1,648,787	-
約當現金—附買回債券	6,932,344	4,243,381
	<b>\$ 9,446,943</b>	<b>5,773,090</b>

#### (二)金融商品

##### 1.非衍生性金融商品：

合併公司民國九十七年及九十六年十二月三十一日持有之各類金融資產明細如下：

	<b>97.12.31</b>	<b>96.12.31</b>
備供出售金融資產—流動：		
共同基金	\$ 179,169	714,716
受益憑證—債券投資	-	22,144
	<b>\$ 179,169</b>	<b>736,860</b>
備供出售金融資產—非流動：		
上市股票	\$ 1,368,282	3,413,044

本公司民國九十七年度及九十六年度自備供出售金融資產當期直接轉出及認列為股東權益調整項目中之金額分別為(2,080,309)千元及(126,481)千元，截至民國九十七年及九十六年十二月三十一日備供出售金融資產未實現利益(損失)調整股東權益數分別為(1,525,237)千元及555,072千元。

南亞電路板股份有限公司及其子公司合併財務報表附註(續)

	<u>97.12.31</u>		<u>96.12.31</u>	
	<u>金額</u>	<u>持股%</u>	<u>金額</u>	<u>持股%</u>
以成本衡量之金融資產－非流動：				
股票－Antig Technology Corporation	\$ <u>-</u>	5.48	<u>32,864</u>	5.48

合併公司所持有之以成本衡量之金融資產－股票因無活絡市場公開報價，且其公平價值無法可靠衡量，故以成本衡量。合併公司於民國九十七年度評估Antig Technology Corporation之股票，認為其投資價值確已減損，故認列減損損失32,864千元。

民國九十七年及九十六年十二月三十一日之非衍生性金融資產均無提供作為擔保或質押之情形。

2. 衍生性金融商品：

民國九十七年及九十六年十二月三十一日，本公司持有之衍生性金融商品明細如下：

<u>項 目</u>	<u>97.12.31</u>		<u>96.12.31</u>	
	<u>帳面金額</u>	<u>名目本金</u>	<u>帳面金額</u>	<u>名目本金</u>
衍生性金融資產：				
指定公平價值變動列入損益				
－信用連結組合式商品	\$ <u>-</u>	-	<u>442,074</u>	NTD 440,000
衍生性金融負債：				
指定公平價值變動列入損益				
－利率交換合約	\$ <u>12,669</u>	USD14,600千元	<u>-</u>	-

指定公平價值變動列入損益之金融資產－信用連結組合式商品：

		<u>96.12.31</u>		
<u>發行人</u>	<u>連結標的</u>	<u>合約期間</u>	<u>合約金額</u>	<u>帳面金額</u>
大華證券股份 有限公司	裕隆二無擔保轉換公司債	96.6.28~98.1.14	\$ 80,000	\$ 80,585
大華證券股份 有限公司	華航三無擔保轉換公司債	96.7.12~97.8.17	90,000	90,407
大華證券股份 有限公司	華航三無擔保轉換公司債	96.12.25~97.8.17	50,000	50,035
寶來證券股份 有限公司	華航三無擔保轉換公司債	96.8.1~97.8.7	190,000	190,962
元大證券股份 有限公司	華航三無擔保轉換公司債	96.12.11~97.8.8	30,000	30,085
			<u>\$ 440,000</u>	<u>442,074</u>

民國九十七年十二月三十一日無此情形。

## 南亞電路板股份有限公司及其子公司合併財務報表附註(續)

合併公司之信用連結組合式商品雖係屬應分別認列主契約及嵌入式衍生性商品之混合商品，但因無法於取得時或後續資產負債表日個別衡量嵌入式商品之公平價值，因此本公司於原始認列時，將其指定為公平價值變動列入損益之金融資產。

合併公司民國九十七年度及九十六年度從事衍生性金融商品所產生之評價損益如下：

	97年度		96年度	
	已實現(損)益	未實現(損)益	已實現(損)益	未實現(損)益
衍生性金融資產：				
換匯換率合約	\$ -	-	(1,089)	-
信用連結組合式商品	<u>(2,074)</u>	<u>-</u>	<u>(964)</u>	<u>2,074</u>
合    計	<u>\$ (2,074)</u>	<u>-</u>	<u>(2,053)</u>	<u>2,074</u>
衍生性金融負債：				
利率交換合約	\$ -	(12,669)	-	-
匯率選擇權				
嵌入式組合式定期存款				
之衍生性金融商品	<u>-</u>	<u>-</u>	<u>20,232</u>	<u>-</u>
合    計	<u>\$ -</u>	<u>(12,669)</u>	<u>20,232</u>	<u>-</u>

### (三)應收票據及帳款淨額

民國九十七年及九十六年十二月三十一日應收票據及帳款科目餘額內容如下：

	97.12.31	96.12.31
應收票據	\$ 998	1,856
應收帳款	<u>6,189,937</u>	<u>9,779,440</u>
小    計	6,190,935	9,781,296
減：備抵壞帳	<u>(82,374)</u>	<u>(126,772)</u>
應收票據及帳款淨額	<u>\$ 6,108,561</u>	<u>9,654,524</u>

南亞電路板股份有限公司及其子公司合併財務報表附註(續)

(四)存貨淨額

民國九十七年及九十六年十二月三十一日存貨科目餘額內容如下：

	<u>97.12.31</u>	<u>96.12.31</u>
製成品	\$ 665,939	919,477
在製品	1,619,431	1,626,273
原料	737,235	754,631
物料	296,522	224,534
在途存貨(原、物料)	<u>5,739</u>	<u>134,174</u>
小計	3,324,866	3,659,089
減：備抵存貨跌價及呆滯損失	<u>(79,273)</u>	<u>(43,187)</u>
存貨淨額	<u><u>\$ 3,245,593</u></u>	<u><u>3,615,902</u></u>

(五)採權益法之長期股權投資

1.民國九十七年及九十六年十二月三十一日採權益法之長期股權投資金額及民國九十七年度及九十六年度投資收益明細如下：

被投資公司	<u>97.12.31</u>		<u>97年度</u>	<u>96.12.31</u>		<u>96年度</u>
	帳列餘額	持股%	投資收益	帳列餘額	持股%	投資收益
台塑石化(股)公司	<u>\$ 655,514</u>	0.13	<u>18,959</u>	<u>714,342</u>	0.13	<u>86,999</u>

合併公司投資台塑石化(股)公司之持股比例雖未達百分之二十，但本公司之母公司—南亞塑膠工業股份有限公司對其具有重大影響力，故合併公司對台塑石化(股)公司之投資亦採權益法評價。

2.上列採權益法評價之長期股權投資已上市者，其市價資料如下：

	<u>97.12.31</u>	<u>96.12.31</u>
台塑石化(股)公司	<u>\$ 787,158</u>	<u>1,126,170</u>

3.合併公司民國九十七年及九十六年十二月三十一日採權益法之長期股權投資均無提供作為擔保之情形。

(六)固定資產

- 1.合併公司民國九十七年及九十六年十二月三十一日固定資產均無提供金融機構設定借款擔保抵質押之情形。
- 2.合併公司民國九十七年度及九十六年度固定資產利息資本化金額分別為12,682千元及97,154千元。

南亞電路板股份有限公司及其子公司合併財務報表附註(續)

(七)無形資產

	專門技術 (技術合作費)	土地使用權	合 計
原始成本：			
民國九十六年一月一日期初餘額	\$ 90,226	55,483	145,709
民國九十六年十二月三十一日餘額	<u>\$ 90,226</u>	<u>55,483</u>	<u>145,709</u>
民國九十七年一月一日期初餘額	\$ 90,226	55,483	145,709
本期增加(減少)數	64,356	(3,746)	60,610
民國九十七年十二月三十一日餘額	<u>\$ 154,582</u>	<u>51,737</u>	<u>206,319</u>
累計攤銷及減損損失：			
民國九十六年一月一日期初餘額	\$ 55,694	6,783	62,477
本期認列攤銷金額	9,959	1,180	11,139
匯率影響數	-	230	230
民國九十六年十二月三十一日餘額	<u>\$ 65,653</u>	<u>8,193</u>	<u>73,846</u>
民國九十七年一月一日期初餘額	\$ 65,653	8,193	73,846
本期認列攤銷金額	14,005	1,150	15,155
匯率影響數	-	(417)	(417)
民國九十七年十二月三十一日餘額	<u>\$ 79,658</u>	<u>8,926</u>	<u>88,584</u>
帳面價值：			
民國九十六年一月一日期初餘額	<u>\$ 34,532</u>	<u>48,700</u>	<u>83,232</u>
民國九十六年十二月三十一日餘額	<u>\$ 24,573</u>	<u>47,290</u>	<u>71,863</u>
民國九十七年一月一日期初餘額	<u>\$ 24,573</u>	<u>47,290</u>	<u>71,863</u>
民國九十七年十二月三十一日餘額	<u>\$ 74,924</u>	<u>42,811</u>	<u>117,735</u>

合併公司民國九十七年度及九十六年度認列無形資產攤銷費用分別為15,155千元及11,139千元，列於營業成本及營業費用項下。

南亞電路板股份有限公司及其子公司合併財務報表附註(續)

(八)短期借款

	97.12.31		96.12.31	
	金額	年利率區間	金額	年利率區間
信用借款	\$ 591,422	1.7%~4.75%	1,297,320	5.45%~5.91%

合併公司民國九十七年及九十六年十二月三十一日未動用之短期借款額度(含信用狀借款)皆為4,022,920千元。

(九)長期借款

貸款銀行	期間	還款方式	97.12.31	96.12.31
交通銀行	93.03.12~ 97.12.11	自96.6.22及96.12.17及97.12.11分三期還款	\$ -	324,330
花旗銀行(聯貸主辦銀行)	95.12.27~ 100.12.07	自撥款日起分十期平均攤還，每半年償還本金乙次	2,398,606	1,751,381
荷蘭銀行	95.02.27~ 99.07.19	自97.01.19起分六期平均償還，每半年償還本金乙次	657,153	972,990
臺灣銀行(聯貸主辦銀行)	97.12.3~ 102.8.19	於到期日一次償還本金	330,637	-
小計			3,386,396	3,048,701
減：一年內到期長期借款			(1,128,083)	(1,086,505)
合計			\$ 2,258,313	1,962,196

1.南電昆山公司於民國九十四年七月十九日與荷蘭銀行簽約洽借額度美金3千萬元貸款合約且由南亞塑膠公司出具承諾書擔保，截至民國九十七年十二月三十一日，已申請撥款美金2千萬元。

其財務比率規定如下：

- (1)流動比率(流動資產總額/流動負債總額)：不得低於百分之一百。
- (2)負債比率(負債總額/淨值)：不得高於百分之一百五十。
- (3)利息保障倍數〔(稅前淨利+利息費用+攤提及折舊)/利息費用〕：不得低於百分之三百。

2.南電昆山公司向花旗銀行舉借之長期借款係由南亞塑膠公司出具安慰函擔保。

3.南電香港公司於民國九十七年七月二十五日與臺灣銀行簽約洽借額度美金陸仟伍佰萬元貸款合約，係由南亞塑膠公司擔任連帶保證人負連帶保證責任。

4.民國九十七年度及九十六年度長期借款之利率區間分別為3.1388%~6.535%及5.15%~6.54%。

南亞電路板股份有限公司及其子公司合併財務報表附註(續)

5.民國九十七年十二月三十一日之長期借款餘額，未來應償還情形如下：

	<u>金 額</u>
98.01.01~98.12.31	\$ 1,128,083
99.01.01~99.12.31	1,128,083
100.01.01~100.12.31	799,593
101.01.01~101.12.31	-
102.01.01~102.12.31	<u>330,637</u>
合 計	<u><u>\$ 3,386,396</u></u>

(十)退 休 金

合併公司民國九十七年度及九十六年度有關退休金資料如下：

	<u>97年度</u>	<u>96年度</u>
期末退休基金餘額	<u>\$ 382,208</u>	<u>334,597</u>
當期退休金費用：		
確定給付之淨退休金成本	<u>\$ 68,282</u>	<u>70,098</u>
確定提撥之淨退休金成本	<u>\$ 197,556</u>	<u>165,656</u>
期末應計退休金負債餘額－列入應計退休金負債	<u>\$ 731,428</u>	<u>702,560</u>
期末應計退休金負債餘額－列入應付費用	<u>\$ 28,160</u>	<u>23,348</u>

南電香港公司因未聘僱固定人員，故無退休金負債之認列，南電昆山公司依當地政府規定提列之退休養老基金帳列薪資費用。

南電美國公司係採確定提撥退休金計畫，截至民國九十七年及九十六年十二月三十一日尚未實際提撥。

民國九十七年及九十六年十二月三十一日之基金提撥狀況與應計退休金負債調節如下：

	<u>97.12.31</u>	<u>96.12.31</u>
給付義務：		
既得給付義務	\$ 58,592	41,512
非既得給付義務	<u>486,475</u>	<u>468,503</u>
累積給付義務	545,067	510,015
未來薪資增加之影響數	<u>543,200</u>	<u>434,965</u>
預計給付義務	1,088,267	944,980
退休基金資產公平價值	<u>(382,208)</u>	<u>(334,597)</u>
提撥狀況	706,059	610,383
未認列過渡性淨給付義務	(66,893)	(70,828)
未認列退休金利益	<u>92,262</u>	<u>163,005</u>
應計退休金負債	<u><u>\$ 731,428</u></u>	<u><u>702,560</u></u>

## 南亞電路板股份有限公司及其子公司合併財務報表附註(續)

民國九十七年度及九十六年度確定給付之淨退休金成本組成項目如下：

	<u>97年度</u>	<u>96年度</u>
服務成本	\$ 49,220	52,612
利息成本	28,301	25,876
退休基金資產預計報酬	(10,637)	(9,250)
攤銷及遞延數	<u>1,398</u>	<u>860</u>
淨退休金成本	<u><u>\$ 68,282</u></u>	<u><u>70,098</u></u>

截至民國九十七年及九十六年十二月三十一日止，本公司職工退休辦法之員工既得給付分別約為69,992千元及49,547千元。精算假設如下：

	<u>97.12.31</u>	<u>96.12.31</u>
折 現 率	3.00 %	3.00 %
未來薪資水準增加率	3.00 %	3.00 %
退休金資產預期長期投資報酬率	3.00 %	3.00 %

### (十一)所得稅

- 1.本公司營利事業所得稅法定稅率最高為百分之二十五，並且適用「所得基本稅額條例」計算基本稅額。

南電美國公司及南電香港公司民國九十七年度及九十六年度無應計所得稅。

南電昆山公司所在地當局於民國九十七年三月十六日通過「中華人民共和國企業所得稅法」(以下簡稱新稅法)，並自民國九十七年一月一日起施行，該公司目前適用之所得稅率15%將自民國九十七年度起逐年調增為18%、20%、22%、24%及25%，原享有兩免三減半之租稅優惠措施，依新稅法規定自民國九十七年度起計算，南電昆山公司民國九十七年度及九十六年度分別為獲利年度第五年及第四年，分別依法定稅率18%及15%減半徵收營利事業所得稅。

合併公司所得稅費用組成如下：

	<u>97年度</u>	<u>96年度</u>
當期所得稅費用	\$ 1,423,744	1,340,600
遞延所得稅費用	<u>170,809</u>	<u>261,375</u>
所得稅費用	<u><u>\$ 1,594,553</u></u>	<u><u>1,601,975</u></u>

南亞電路板股份有限公司及其子公司合併財務報表附註(續)

上列遞延所得稅費用之組成項目如下：

	<u>97年度</u>	<u>96年度</u>
未實現兌換利益	\$ 3,664	11,735
遞延未實現銷貨毛利	(13)	2,117
遞延未實現出售固定資產利益	2,677	3,798
退休金財稅差異	(7,346)	(7,886)
權益法認列國外投資利益	137,295	241,687
國外投資損失準備	40,261	10,871
備抵呆帳超限	3,006	(2,430)
未實現金融商品評價(損)益	(519)	1,483
減損損失	<u>(8,216)</u>	<u>-</u>
遞延所得稅費用	<u>\$ 170,809</u>	<u>261,375</u>

2.民國九十七年度及九十六年度合併公司損益表中所列稅前淨利依規定稅率計算之所得稅與所得稅費用間之差異列示如下：

	<u>97年度</u>	<u>96年度</u>
稅前淨利依法定稅率估計所得稅	\$ 2,071,989	2,594,783
權益法認列投資收益	(4,739)	(21,750)
其他依稅法調整數	(33,116)	944
免稅所得稅額	(252,122)	(553,929)
分離課稅	1,473	4,633
投資抵減稅額	(180,346)	(400,127)
未分配盈餘加徵10%稅款	341	-
以前年度所得稅高估數	<u>(8,927)</u>	<u>(22,579)</u>
所得稅費用	<u>\$ 1,594,553</u>	<u>1,601,975</u>

南亞電路板股份有限公司及其子公司合併財務報表附註(續)

3.合併公司民國九十七年及九十六年十二月三十一日之遞延所得稅資產(負債)明細如下：

	<u>97.12.31</u>	<u>96.12.31</u>
流 動：		
遞延所得稅資產	\$ 13,449	16,372
備抵評價－遞延所得稅資產	-	-
淨遞延所得稅資產	13,449	16,372
遞延所得稅負債	(22,797)	(1,965)
流動遞延所得稅資產(負債)淨額	<u>\$ (9,348)</u>	<u>14,407</u>
非流動：		
遞延所得稅資產	\$ 230,767	217,952
備抵評價－遞延所得稅資產	-	-
淨遞延所得稅資產	230,767	217,952
遞延所得稅負債	(696,627)	(536,758)
非流動遞延所得稅資產(負債)淨額	<u>\$ (465,860)</u>	<u>(318,806)</u>
遞延所得稅資產總額	<u>\$ 244,216</u>	<u>234,324</u>
遞延所得稅負債總額	<u>\$ 719,424</u>	<u>538,723</u>
遞延所得稅資產之備抵評價金額	<u>\$ -</u>	<u>-</u>

4.遞延所得稅資產及負債之明細，其個別所得稅影響如下：

	<u>97.12.31</u>		<u>96.12.31</u>	
	金 額	所 得 稅 影 響 數	金 額	所 得 稅 影 響 數
流動遞延所得稅資產：				
遞延貸項－未實現銷貨毛利	\$ 2,215	554	2,352	588
遞延貸項－未實現處分固定資產利益	17,623	4,405	17,151	4,288
備抵呆帳超限	10	3	12,037	3,009
未實現存貨跌價損失	33,947	8,487	33,947	8,487
淨流動遞延所得稅資產		13,449		16,372
流動遞延所得稅負債：				
未實現兌換利益	20,442	5,110	5,785	1,446
國外投資損失準備	70,746	17,687	-	-
未實現金融商品評價利益	-	-	2,074	519
流動遞延所得稅資產(負債)淨額		<u>\$ (9,348)</u>		<u>14,407</u>

南亞電路板股份有限公司及其子公司合併財務報表附註(續)

	97.12.31		96.12.31	
	金額	所得稅影響數	金額	所得稅影響數
非流動遞延所得稅資產：				
遞延貸項－未實現銷貨毛利	\$ 2,278	569	2,088	522
遞延貸項－未實現處分固定資產利益	161,895	40,474	173,074	43,268
退休金財稅差異	726,030	181,508	696,647	174,162
減損損失	32,864	8,216	-	-
淨非流動遞延所得稅資產		230,767		217,952
非流動遞延所得稅負債：				
權益法認列國外投資收益	2,367,218	591,805	1,818,041	454,510
國外投資損失準備	419,289	104,822	328,991	82,248
非流動遞延所得稅負債淨額		<u>\$ (465,860)</u>		<u>(318,806)</u>

5. 本公司符合新興重要策略性產業與製造業及相關技術服務業之適用範圍，業經國稅局核准，並由本公司選定免稅開始日，連續五年就其相關所得，免納營利事業所得稅，核准免稅明細資料如下：

免稅類別	核准函號	獎勵項目	免稅期間
增資擴展	94.05.03台財稅 第0940527710號	IC構裝軟硬基板(BGA基板)	94.1.1~98.12.31
增資擴展	97.01.31台財稅 第09700077200號	IC構裝軟硬基板(BGA基板)	97.1.1~101.12.31

6. 本公司依促進產業升級條例第十二條規定，就經核准之國外投資持股比例達百分之五十以上部份，於投資款匯出年度就其投資總額百分之二十，提列國外投資損失準備並於申報營利事業所得稅時認列為當期費用。所提列之國外投資損失準備，在提列五年內若無實際投資損失發生時，於申報營利事業所得稅時，則將提列之準備轉作第五年度收益處理，提列明細資料如下：

投資年度	投資金額	提列金額	迴轉年度
民國九十四年度	\$ 353,732	70,747	民國九十八年度
民國九十五年度	1,073,806	214,761	民國九十九年度
民國九十六年度	217,417	43,483	民國一〇〇年度
民國九十七年度	805,222	161,044	民國一〇一年度
	<u>\$ 2,450,177</u>	<u>490,035</u>	

## 南亞電路板股份有限公司及其子公司合併財務報表附註(續)

7.本公司營利事業所得稅結算申報業奉稅捐稽徵機關核定至民國九十四年度。

8.股東可扣抵稅額帳戶、稅額扣抵比率以及未分配盈餘

截至民國九十七年及九十六年十二月三十一日止，本公司之股東可扣抵稅額帳戶餘額分別為677,300千元及519,622千元。對中華民國居住者盈餘分配之稅額扣抵比率，民國九十七年度預計及九十六年度實際之比率分別為21.72%及15.11%。

截至民國九十七年及九十六年十二月三十一日止，本公司未分配盈餘中屬於民國八十六年度(含)以前之盈餘均為3,840千元。

### (十二)股東權益

#### 1.股本

本公司經民國九十六年六月二十一日股東常會通過，以民國九十五年度之應分派股東紅利156,377千元轉增資，發行新股15,637,667股。本增資案已經行政院金融監督管理委員會金管證(一)字第0960051115號函核准，並經本公司董事會訂定民國九十六年十月十五日為增資基準日，前述變更業已辦妥法定登記程序。

民國九十七年度本公司員工依據「員工認股權憑證發行及認股辦法」行使認股權認購普通股如下：

<u>增資基準日</u>	<u>行使認股權</u>		<u>股</u>	<u>款</u>
	<u>股數(千股)</u>	<u>每股認購價格(元)</u>		
97.3.28	85	\$ 10		850
97.5.9	79	10		790
97.8.26	53	10		530
97.12.25	<u>12</u>	10		<u>120</u>
	<b><u>229</u></b>			<b><u>2,290</u></b>

民國九十六年度本公司員工依據「員工認股權憑證發行及認股辦法」行使認股權認購普通股如下：

<u>增資基準日</u>	<u>行使認股權</u>		<u>股</u>	<u>款</u>
	<u>股數(千股)</u>	<u>每股認購價格(元)</u>		
96.3.21	60	\$ 21.3		1,278
96.6.26	10	21.3		213
96.9.5	7	21.3		149
96.12.25	<u>765</u>	10		<u>7,650</u>
	<b><u>842</u></b>			<b><u>9,290</u></b>

本公司截至民國九十七年及九十六年十二月三十一日止之額定股本均為7,000,000千元，分別保留117,780千元及125,600千元供認股權憑證使用，實收股本分別為6,181,574千元及6,179,284千元，每股面額10元。

## 南亞電路板股份有限公司及其子公司合併財務報表附註(續)

### 2. 庫藏股票

(1) 民國九十七年度庫藏股變動情形如下：

項 目	期初餘額	本期增加	本期減少	期末餘額
本公司買回股票為轉讓股份予員工一 股數(千股)	6,101	-	-	6,101
本公司買回股票為轉讓股份予員工一 金額	\$ 1,242,218	-	-	1,242,218

民國九十六年度庫藏股變動情形如下：

項 目	期初餘額	本期增加	本期減少	期末餘額
本公司買回股票為轉讓股份予員工一 股數(千股)	-	10,000	3,899	6,101
本公司買回股票為轉讓股份予員工一 金額	\$ -	2,036,055	793,837	1,242,218

(2) 依證券交易法之規定，公司買回股份之數量比例，不得超過公司已發行股份總數百分之十；收買股份之總金額，不得逾保留盈餘加發行股份溢價及已實現之資本公積之金額。以民國九十七年十二月三十一日為計算基準，本公司可買回股數最高上限為55,715千股，收買股份金額最高限為32,043,840千元。

(3) 本公司持有之庫藏股票依證券交易法規定不得質押，於未轉讓前，不得享有股東權利。

### 3. 公積及保留盈餘

(1) 資本公積

民國九十七年及九十六年十二月三十一日之資本公積內容如下：

	<b>97.12.31</b>	<b>96.12.31</b>
現金增資溢價發行	\$ 21,747,476	21,747,476
庫藏股交易	4,616	4,616
其他	123	123
	<b>\$ 21,752,215</b>	<b>21,752,215</b>

依公司法規定，資本公積需優先填補虧損後，始得以已實現之資本公積轉作資本。前項所稱之已實現資本公積，包括超過票面金額發行股票所得之溢價、受領贈與之所得以及庫藏股交易溢價。依發行人募集與發行有價證券處理準則規定，得撥充資本之資本公積，每年撥充資本之合計金額，不得超過實收資本額百分之十。

(2) 法定盈餘公積

依公司法規定，公司應就稅後純益提撥百分之十為法定盈餘公積，直至與實收資本額相等為止。法定盈餘公積依法通常僅供彌補虧損之用，不得用以分配現金股利。但此項公積之提列已達實收資本額百分之五十時，得以股東會決議，於其不超過半數之範圍內轉撥資本。

## 南亞電路板股份有限公司及其子公司合併財務報表附註(續)

### (3) 盈餘分配

依本公司章程規定，年度決算如有盈餘應先完納稅捐，彌補虧損，再提百分之十法定盈餘公積，並於必要時酌提特別盈餘公積，次提股息，當年度如尚有盈餘(以下稱扣息後可分配盈餘)，併同以前年度累積未分配盈餘，由董事會擬具股東紅利分配案，提請股東常會決議分派之。前項特別盈餘公積包含：

- A. 因特殊用途所提列之盈餘公積。
- B. 依權益法認列之投資收益。
- C. 因金融商品交易認列之淨評價收益，惟其累積數減少時，應同額調減特別盈餘公積，並以本項已提列數為限。
- D. 其他依法令規定提列之特別盈餘公積。

本公司應按當年度扣息後可分配盈餘，提撥百分之零點一至百分之一之員工紅利，其提撥金額並作為當年度費用。

本公司股利政策採現金股利、盈餘轉增資與資本公積轉增資三種方式搭配發放，就當年度可分配盈餘扣法定盈餘公積及特別盈餘公積後，至少分配50%以上，並以發放現金股利為優先，盈餘及資本公積轉增資合計之比例，不得超過當年全部股利之50%。

本公司民國九十七年度依公司章程所訂定之董事、監察人酬勞金及員工紅利提列方式，估計員工紅利金額為7,048千元，惟若嗣後股東會決議實際配發金額與估列數有差異時，則視為估計變動，列為當年度之損益。

本公司民國九十七年六月二十四日及九十六年六月二十一日股東常會決議民國九十六年度及九十五年度盈餘分配，分派之每股股利及員工紅利、董事與監察人酬勞如下：

	<u>96年度</u>	<u>95年度</u>
普通股每股股利(元)		
現金	\$ 12.54	15.19
股票(依面額計價)	-	0.26
	<u>\$ 12.54</u>	<u>15.45</u>
員工紅利—現金	\$ 1,996	12,719
董事及監察人酬勞	<u>3,367</u>	<u>3,364</u>
	<u>\$ 5,363</u>	<u>16,083</u>

上述盈餘分配情形與本公司董事會決議並無差異。

## 南亞電路板股份有限公司及其子公司合併財務報表附註(續)

本公司民國九十七年度之員工紅利及董監事酬勞分派數，尚待本公司董事會擬議及股東會決議，相關資訊可至公開資訊觀測站等管道查詢之。

### (4) 股份基礎給付交易

本公司於民國九十二年六月二十五日經原證券暨期貨管理委員會台財證一字第0920127845號函核准發行員工認股權憑證6,000單位，每單位得認購股數為1,000股，預計得認購普通股6,000,000股，並以發行新股為履約方式。認股價格為(一)公司上市前發行者：不低於發行日最近期經會計師查核簽證之財務報告每股淨值。(二)公司上市後發行者：不低於發行日本公司普通股收盤價格。另認股權人自被授予員工認股權憑證屆滿二年後，得按下列認股權憑證授予時程行使認股權利，屆滿二年累計可行使認股比例為50%，屆滿三年為75%，屆滿四年為100%。此認股權憑證之存續期間為八年，且不得轉讓，但繼承者不在此限。上述員工認股權憑證已於民國九十二年十月三十一日全數發行，每股原始認股價格為每股30元，民國九十五年及九十六年因盈餘分配致普通股股份發生變動，依認股辦法等幅調降為每股21.3元及每股10元。

A. 截至民國九十七年十二月三十一日止，本公司酬勞性員工認股選擇權計畫資訊列示如下：

種類	原證期會 核准日期	發行 日期	發行單位數	認股權 存續期間	每股認購 價格(元)
92年第一次員工 認股權憑證	92.6.25	92.10.31	6,000	8年	\$ 10.00

B. 民國九十七年度及九十六年度酬勞性員工認股選擇權計畫之認股選擇權數量及加權平均行使價格之資訊揭露如下表：

認股選擇權	97年度		96年度	
	數量	每股加權平均 行使價格(元)	數量	每股加權平均 行使價格(元)
期初流通在外	338	\$ 10.00	1,180	21.30
本期給與	-	-	-	-
本期行使	(229)	10.00	(842)	11.03
本期沒收	-	-	-	-
期末流通在外	<u>109</u>	10.00	<u>338</u>	10.00
期末仍可行使之認股選擇權	<u>109</u>		<u>338</u>	

## 南亞電路板股份有限公司及其子公司合併財務報表附註(續)

C.截至民國九十七年十二月三十一日酬勞性員工認股選擇權計劃流通在外之資訊如下表：

每股 行使價格之範圍(元)	數量	加權平均預期 剩餘存續期限	每股加權平均 行使價格(元)	目前可行使認股選擇權	
				數量	每股加權平均 行使價格(元)
\$ 10	109	2.83 年	\$ 10.00	109	10

### (十三)普通股每股盈餘

依財務會計準則公報第二十四號「每股盈餘」規定，民國九十七年度及九十六年度，有關計算每股盈餘時調整分子、分母之揭露：

	97年度		96年度	
	稅前	稅後	稅前	稅後
<b>基本每股盈餘</b>				
本期淨利	\$ 8,241,763	6,647,210	10,136,519	8,534,544
加權平均流通在外股數(千股)	611,962	611,962	612,433	612,433
<b>基本每股盈餘(元)</b>	\$ 13.47	10.86	16.55	13.94
<b>稀釋每股盈餘</b>				
計算稀釋每股盈餘之本期淨利	\$ 8,241,763	6,647,210	10,136,519	8,534,544
加權平均流通在外股數(千股)	611,962	611,962	612,433	612,433
具稀釋作用之潛在普通股之影響				
一認股選擇權約當股數(千股)	189	189	1,061	1,061
計算稀釋每股盈餘之加權平均 流通在外股數(千股)	612,151	612,151	613,494	613,494
<b>稀釋每股盈餘(元)</b>	\$ 13.46	10.86	16.52	13.91

### (十四)金融商品相關資訊

#### 1.公平價值資訊

合併公司之非衍生性短期金融資產及負債中包括現金及約當現金、應收/應付帳款(含關係人者)、應收/應付關係人往來款及短期借款等，係以其在資產負債表日之帳面價值估計其公平價值；因此類商品到期日甚近，其帳面價值應屬估計公平價值之合理基礎。

## 南亞電路板股份有限公司及其子公司合併財務報表附註(續)

(1)民國九十七年及九十六年十二月三十一日，合併公司金融資產及金融負債之帳面價值及公平價值資訊如下：

	97.12.31			96.12.31		
	帳面價值	公平價值		帳面價值	公平價值	
		以公開 報價決定	以評價 方法估計		以公開 報價決定	以評價 方法估計
<u>非衍生性金融商品：</u>						
<u>金融資產：</u>						
現金及約當現金	\$ 9,446,943	865,812	8,581,131	5,773,090	1,529,709	4,243,381
備供出售金融資產－流動						
共同基金	179,169	179,169	-	714,716	714,716	-
受益憑證－債券投資	-	-	-	22,144	22,144	-
應收票據及帳款 (含關係人)	6,148,585	-	6,148,585	9,749,013	-	9,749,013
應收關係人往來款	4,924,908	-	4,924,908	7,351,696	-	7,351,696
備供出售金融資產 －非流動						
上市股票	1,368,282	1,368,282	-	3,413,044	3,413,044	-
以成本衡量之金融資產 －非流動(股票)	-	-	-	32,864	-	-
存出保證金	2,154	-	-	2,140	-	-
<u>金融負債：</u>						
短期借款	591,422	-	591,422	1,297,320	-	1,297,320
應付帳款(含關係人)	1,195,805	-	1,195,805	3,460,987	-	3,460,987
應付關係人往來款	125,894	-	125,894	-	-	-
長期借款(含一年內到期)	3,386,396	-	3,386,396	3,048,701	-	3,048,701
存入保證金	82,963	-	-	71,942	-	-
<u>衍生性金融商品：</u>						
<u>金融資產：</u>						
公平價值變動列入損益 之金融資產：						
信用連結組合式商品	-	-	-	442,074	-	442,074
<u>金融負債：</u>						
公平價值變動列入損益 之金融負債：						
利率交換合約	12,669	-	12,669	-	-	-

(2)合併公司估計金融商品公平價值所使用之方法及假設如下：

A.短期金融商品以其在資產負債表日之帳面價值估計其公平價值，因此類商品到期日甚近，其帳面價值應屬估計公平價值之合理基礎。此方法應用於現金及約當現金、應收票據及帳款(含關係人)、應付帳款(含關係人)、應收關係人往來款及應付關係人往來款。

## 南亞電路板股份有限公司及其子公司合併財務報表附註(續)

- B. 金融資產／負債如有活絡市場公開報價時，則以此市場價格為公平價值。若無市場價格可供參考時，則採用評價方法估計，所使用之估計與假設係與市場參與者於金融商品訂價時用以作為估計及假設之資訊一致。本公司使用之折現率與實質上條件及特性相同之金融商品之報酬率相等，其條件及特性包括債務人之信用狀況、合約規定固定利率計息之剩餘期間、支付本金之剩餘期間及支付幣別等。
- C. 存出入保證金係為現金收支，故其公平價值應與帳面價值相當。
- D. 長短期借款(含一年內到期)之利率多數接近市場利率，故以其借款金額為其公平價值。

### 2. 財務風險資訊：

#### (1) 市場風險

- A. 合併公司從事之備供出售金融資產及衍生性金融商品交易，受市場價格變動之影響，因此本公司將暴露於市場價格變動之風險。
- B. 合併公司將因外匯匯率變動而使外幣存款、應收帳款及應付帳款而產生價值波動之風險。

#### (2) 信用風險

- A. 合併公司應收款項之債務人，大部分為信用良好之國際知名公司，近年來未有實際發生重大呆帳之情形。且本公司定期評估備抵呆帳之適足性，經評估結果並無重大之信用風險。
- B. 合併公司從事之備供出售金融資產投資，雖有信用風險發生之可能，惟其具公開活絡之市場，故預期不致產生重大影響。
- C. 合併公司從事之衍生性金融商品交易，係與信用良好之金融機構往來，預期該金融機構不致產生違約，故發生信用風險之可能性極低。
- D. 合併公司與金融機構簽訂之信用連結組合式商品雖係屬非保本型契約，但本公司之信用連結標的皆屬信用良好之知名企業，故發生信用風險之可能性極低。

#### (3) 流動性風險

- A. 合併公司應收款項之主要債務人，均為信用良好之國際知名公司，且應收款項均屬一年內到期者，收款情形並無異常，經評估並無重大之流動性風險。
- B. 合併公司之備供出售金融資產，其標的均具有活絡之交易市場，應可輕易在市場上以接近公平價值之價格迅速贖回，因此發生流動性風險之可能性極低。

## 南亞電路板股份有限公司及其子公司合併財務報表附註(續)

### (4)利率變動之現金流量風險

A.合併公司所持有之資產及負債皆為浮動利率，惟因市場利率變動甚小，故公司認為因利率變動產生之未來現金流量風險應不重大。

B.合併公司之短期及長期借款係屬浮動利率之債務，故市場利率變動將使其短期及長期借款之有效利率隨之改變，而使其未來現金流量產生變動。

## 五、關係人交易

### (一)關係人之名稱及關係

<u>關係人名稱</u>	<u>與合併公司之關係</u>
南亞塑膠工業股份有限公司 (以下簡稱南亞塑膠公司)	本公司之母公司
華亞科技股份有限公司 (以下簡稱華亞科技公司)	與本公司董事長同一人
南亞科技股份有限公司 (以下簡稱南亞科技公司)	原與本公司董事長同一人 (民國九十七年三月改選)
文方實業股份有限公司 (以下簡稱文方公司)	與本公司董事長同一人
台灣塑膠工業股份有限公司 (以下簡稱台灣塑膠公司)	本公司之母公司為該公司之法人董事
台灣化學纖維股份有限公司 (以下簡稱台化纖維公司)	董事長與本公司總經理為二親等
台塑石化股份有限公司 (以下簡稱台塑石化公司)	合併公司採權益法評價之公司
南亞塑膠工業(香港)有限公司 (以下簡稱南亞塑膠(香港))	為本公司之母公司之子公司
福懋科技股份有限公司 (以下簡稱福懋科技公司)	董事長與本公司總經理為二親等
亞太投資股份有限公司 (以下簡稱亞太投資公司)	本公司董事長為該公司之董事
台朔重工股份有限公司 (以下簡稱台朔重工公司)	為本公司之母公司採權益法評價之公司
台宇汽車股份有限公司 (以下簡稱台宇汽車公司)	為本公司之母公司採權益法評價之公司
南亞電子材料(昆山)有限公司 (以下簡稱南亞電子材料(昆山))	與南電昆山公司負責人為同一人
南亞織布染整(昆山)有限公司 (以下簡稱南亞織布染整(昆山))	與南電昆山公司負責人為同一人

南亞電路板股份有限公司及其子公司合併財務報表附註(續)

關係人名稱	與合併公司之關係
南亞銅箔(昆山)有限公司 (以下簡稱南亞銅箔(昆山))	與南電昆山公司負責人為同一人
南亞化學纖維(昆山)有限公司 (以下簡稱南亞化學纖維(昆山))	與南電昆山公司負責人為同一人
南亞聚酯纖維熱電(昆山)有限公司 (以下簡稱南亞聚酯纖維熱電(昆山))	為南亞塑膠(香港)之子公司
南亞聚酯長纖(昆山)有限公司 (以下簡稱南亞聚酯長纖(昆山))	與南電昆山公司負責人為同一人
南亞玻纖布(昆山)有限公司 (以下簡稱南亞玻纖布(昆山))	與南電昆山公司負責人為同一人
南亞熱電(昆山)有限公司 (以下簡稱南亞熱電(昆山))	與南電昆山公司負責人為同一人
南亞電氣(南通)有限公司 (以下簡稱南亞電氣(南通))	與南電昆山公司負責人為同一人
必成玻璃纖維(昆山)有限公司 (以下簡稱必成玻纖(昆山))	與南電昆山公司負責人為同一人
全體董事、監察人、總經理及副總經理	本公司主要管理階層

(二)與關係人間之重大交易事項

1.進貨及銷貨

民國九十七年度及九十六年度合併公司與關係人間之進貨及銷貨明細如下：

	97年度		96年度	
	金額	佔本公司進貨淨額%	金額	佔本公司進貨淨額%
進 貨：				
南亞塑膠公司	\$ 2,027,986	10.05	2,196,220	10.25
文方公司	144,075	0.71	166,927	0.78
台灣塑膠公司	74,710	0.37	60,191	0.28
南亞電子材料(昆山)	1,623,761	8.05	2,001,749	9.35
南亞熱電(昆山)	467,907	2.32	421,803	1.97
南亞銅箔(昆山)	209,052	1.04	321,478	1.50
南亞玻纖布(昆山)	29,571	0.15	57,036	0.27
南亞電氣(南通)	-	-	6,202	0.03
其他	-	-	7	-
	<u>\$ 4,577,062</u>	<u>22.69</u>	<u>5,231,613</u>	<u>24.43</u>

南亞電路板股份有限公司及其子公司合併財務報表附註(續)

	97年度		96年度	
	金額	佔合併公司營收淨額%	金額	佔合併公司營收淨額%
銷 貨：				
福懋科技公司	\$ 538,441	1.41	459,566	1.14
南亞科技公司	<u>139,118</u>	<u>0.36</u>	<u>116,105</u>	<u>0.29</u>
	<u>\$ 677,559</u>	<u>1.77</u>	<u>575,671</u>	<u>1.43</u>

(1)向南亞塑膠公司進貨金額係包含蒸氣費及水電費。

(2)向文方公司進貨金額係託工工繳款。

(3)進貨價格及付款條件

合併公司與關係人間之進貨價格及條件與一般廠商並無顯著差異，向關係人進貨分別係於次月十五日前(南亞塑膠公司、台灣塑膠公司)、月結90天(文方公司)及月結120天(大陸關係公司)付款。

(4)銷貨價格及收款條件

銷貨予關係人之收款方式一般為月結90天；福懋科技公司為月結75天；銷售價格方面，係以成本加成5%~10%利益為報價基準。

2.應收(付)帳款(資金融通除外)

民國九十七年及九十六年十二月三十一日合併公司與關係人間之應收、付帳款明細如下：

	97.12.31		96.12.31	
	金額	佔應收票據及帳款淨額%	金額	佔應收票據及帳款淨額%
應收帳款：				
福懋科技公司	\$ 36,815	0.60	80,523	0.83
南亞科技公司	<u>3,209</u>	<u>0.05</u>	<u>13,966</u>	<u>0.14</u>
	<u>\$ 40,024</u>	<u>0.65</u>	<u>94,489</u>	<u>0.97</u>

南亞電路板股份有限公司及其子公司合併財務報表附註(續)

	97.12.31		96.12.31	
	金額	佔應付帳款%	金額	佔應付帳款%
應付帳款：				
南亞塑膠公司	\$ 89,402	7.48	232,987	6.73
文方公司	34,905	2.92	80,277	2.32
台灣塑膠公司	2,850	0.24	6,051	0.17
南亞電子材料(昆山)	127,989	10.70	511,375	14.78
南亞熱電(昆山)	-	-	44,754	1.29
南亞銅箔(昆山)	7,180	0.60	59,824	1.73
南亞玻纖布(昆山)	1,515	0.12	8,891	0.26
南亞電氣(南通)	-	-	7,460	0.22
	<u>\$ 263,841</u>	<u>22.06</u>	<u>951,619</u>	<u>27.50</u>

3. 資金融通情形

民國九十七年度及九十六年度合併公司與關係人間之資金融通情形如下：

	97年度					
	最高餘額日期	最高餘額	期末餘額	利率區間	利息總額	期末應收(付)利息
應收關係人往來款：						
南亞塑膠公司	97.07.24	\$ 1,000,000	51,300	1.907%~2.800%	16,091	1,487
台化纖維公司	97.01.01	1,052,000	999,800	1.907%~2.800%	25,319	1,620
台塑石化公司	97.01.01	2,278,900	756,100	1.907%~2.800%	13,545	1,520
台宇汽車公司	97.07.04	90,000	45,000	1.907%~2.789%	1,103	108
南亞科技公司	97.06.11	4,996,700	-	1.907%~2.800%	81,184	3,295
華亞科技公司	97.03.21	60,000	-	2.794%	14	-
亞太投資公司	97.01.01	3,330,600	2,808,300	1.907%~2.800%	73,110	4,549
台朔重工公司	97.01.02	1,330,900	-	1.907%~2.776%	1,368	585
南亞銅箔(昆山)	97.05.08	841,058	-	4.01%~6.13%	20,553	-
必成玻纖(昆山)	97.10.08	264,408	264,408	5.54%	5,084	2,194
南亞織布染整(昆山)	97.09.23	98,335	-	5.40%~5.54%	2,037	-
			<u>\$ 4,924,908</u>	5.40%~5.54%	<u>239,408</u>	<u>15,358</u>
應付關係人往來款：						
南亞電子材料(昆山)	97.05.15	\$ 134,608	120,185	4.05%~5.54%	2,375	(696)
南亞塑膠(香港)	97.08.04	5,709	5,709	2.35~3.47%	12	(12)
			<u>\$ 125,894</u>		<u>2,387</u>	<u>(708)</u>

南亞電路板股份有限公司及其子公司合併財務報表附註(續)

	96年度					
	最高餘額日期	最高餘額	期末餘額	利率區間	利息收入(費用)	期末應收(付)利息
應收關係人往來款：						
南亞塑膠公司	96.08.20	\$ 6,429,400	301,000	2.256%~2.947%	45,286	763
台灣塑膠公司	96.01.22	400,000	-	2.256%~2.27%	1,268	-
台化纖維公司	96.06.20	2,000,000	1,052,000	2.256%~2.947%	33,018	1,988
台塑石化公司	96.07.02	3,400,000	2,278,900	2.256%~2.947%	34,226	4,530
亞太投資公司	96.07.19	3,330,600	3,330,600	2.296%~2.947%	49,170	7,011
南亞銅箔(昆山)	96.12.21	389,196	389,196	5.88%~6.13%	626	643
南亞化學纖維(昆山)	96.08.29	162,166	-	6.01%	245	-
			<u>\$ 7,351,696</u>		<u>163,839</u>	<u>14,935</u>
應付關係人往來款：						
南亞電子材料(昆山)	96.01.01	\$ 146,523	-	4.41%~4.70%	(1,490)	-
南亞銅箔(昆山)	96.04.17	244,481	-	4.55%~5.86%	(2,626)	-
南亞熱電(昆山)	96.01.01	133,203	-	4.70%~4.71%	(1,101)	-
南亞聚酯長纖(昆山)	96.01.01	364,050	-	5.85%~5.88%	(173)	-
南亞玻纖布(昆山)	96.06.22	155,679	-	5.82%	(101)	-
南亞聚酯纖維熱電(昆山)	96.01.01	138,686	-	5.88%	(219)	-
			<u>\$ -</u>		<u>(5,710)</u>	<u>-</u>

4.保證情形

南電昆山公司民國九十七年及九十六年度向匯豐銀行、荷蘭銀行及渣打銀行舉借之短期借款及向荷蘭銀行與花旗銀行等五家銀行聯貸之長期借款均係由南亞塑膠公司、南亞塑膠(香港)及南電香港公司出具安慰函在各相關之借款尚未清償前，積極督促南電昆山公司維持正常營運，維持良好償債能力及如期還款。

南電香港公司民國九十七年度向臺灣銀行聯貸之長期借款港幣78,000千元係由南亞塑膠公司擔任連帶保證人負連帶保證責任。

5.租 賃

合併公司向南亞塑膠公司承租座落桃園縣蘆竹鄉南崁路一段338號之廠房、員工宿舍及台北辦公室等，民國九十七年度及九十六年度情形如下：

	97年度	96年度
租賃支出	<u>\$ 144,929</u>	<u>152,301</u>

6.其 他

原南電昆山公司與關係人南亞電子材料(昆山)共同向江蘇省昆山市國土管理局租用昆山經濟技術開發區工業用地1,120,000平方公尺使用權，合約總價277,415,398元，按各別使用土地面積分攤，南電昆山公司分攤55,483,080元。民國九十七年十二月因土地重新分割後，由南亞熱電(昆山)支付予南電昆山公司，與原分攤金額之差額3,746千元，並依此重新計算之金額，繼續攤提。

## 南亞電路板股份有限公司及其子公司合併財務報表附註(續)

### (三)主要管理階層薪酬總額

本公司民國九十七年度及九十六年度給付董事、監察人、總經理及副總經理等主要管理階層薪酬總額之有關資訊如下：

	<u>97年度</u>	<u>96年度</u>
薪 資	\$ 14,172	19,282
業務執行費用	500	420
員工紅利	<u>11</u>	<u>3</u>
	<u>\$ 14,683</u>	<u>19,705</u>

上述金額包含董監酬勞及員工紅利估列數，詳細估列方式請詳「股東權益」項下之說明。

六、質押之資產：無。

### 七、重大承諾事項及或有事項

民國九十七年十二月三十一日除財務報表及附註另有說明及列示者外，合併公司尚有下列重大承諾及或有事項：

(一)合併公司為進口原物料已開立未使用信用狀金額約為11,435千元。

(二)由銀行為本公司保證計有保稅保證35,000千元及信用狀保證17,000千元。

(三)本公司於民國九十五年一月二十日接獲桃園地方法院證據保全裁定，該裁定之聲請人為全懋精密科技股份有限公司(以下簡稱全懋)，本公司已配合法院實施證據保全程序。全懋主張本公司製造之某些型號條狀晶片封裝基板產品，涉嫌侵害該公司之發明專利。但依據經濟部智慧財產局之資料顯示，全懋前揭專利在民國九十三年三月十日曾遭第三人提出舉發在先，目前仍在該局審查中，因此其有效性仍有爭議。本公司亦已就全懋專利之有效性蒐集相關資料，進行分析釐清。

全懋原於民國九十五年二月十七日向台北地方法院起訴，要求本公司停止產銷特定型號之條狀晶片封裝基板產品，並於民國九十六年十月擴張要求本公司給付新台幣1,000,000千元之損害賠償，惟全案已於民國九十七年八月十三日經台灣台北地方法院宣判原告之訴駁回。全懋又於民國九十七年九月八日提起上訴，要求本公司給付新台幣500,000千元之損害賠償，惟全案目前正由法院審理中。

八、重大之災害損失：無。

九、重大之期後事項：無。

南亞電路板股份有限公司及其子公司合併財務報表附註(續)

十、其他

(一)合併公司民國九十七年度及九十六年度發生之用人、折舊及攤銷費用依其功能別彙總如下：

性質別	功能別	97年度			96年度		
		屬於營業成本者	屬於營業費用者	合計	屬於營業成本者	屬於營業費用者	合計
用人費用							
薪資費用		4,730,532	466,780	5,197,312	4,633,613	477,742	5,111,355
勞健保費用		273,772	23,606	297,378	241,886	22,149	264,035
退休金費用		239,515	26,323	265,838	211,652	24,102	235,754
其他用人費用		190,609	12,263	202,872	194,427	11,939	206,366
折舊費用		3,383,441	8,870	3,392,311	3,225,882	10,114	3,235,996
攤銷費用		14,005	1,388	15,393	9,959	2,205	12,164

(二)重分類

民國九十六年度合併財務報表中若干金額為配合九十七年度合併財務報表之表達，已作適當重分類，該重分類對合併財務報表之表達無重大影響。

十一、附註揭露事項

(一)重大交易事項相關資訊：

1.資金貸與他人：

編號	貸出資金之公司	貸與對象	往來科目	本期最高餘額	期末餘額	利率區間	資金貸與性質(註一)	業務往來金額(註二)	有短期融通資金必要之原因	提列備抵呆帳金額	擔保品		對個別對象資金貸與限額	資金貸與總限額
											名稱	價值		
0	本公司	南亞塑膠公司	應收關係人往來款	1,000,000	51,300	1.907%~2.800%	2	-	營運週轉	-	-	-	對關係企業及有業務往來者之個別對象資金融通限額以淨值之百分之二十五為限，其他對象以淨值百分之二十為限，本年度個別對象限額分別為8,878,653千元及7,102,922千元。	資金貸予他人之總額以淨值之百分之五十為限，其中貸予無業務往來但有短期融通資金必要者之總額以淨值之百分之四十為限，本年度資金融通最高限額分別為17,757,306千元及14,205,844千元
0	本公司	台化纖維公司	應收關係人往來款	1,052,000	999,800	1.907%~2.800%	2	-	營運週轉	-	-	-	"	"
0	本公司	台塑石化公司	應收關係人往來款	2,278,900	756,100	1.907%~2.800%	2	-	營運週轉	-	-	-	"	"
0	本公司	台宇汽車公司	應收關係人往來款	90,000	45,000	1.907%~2.789%	2	-	營運週轉	-	-	-	"	"
0	本公司	南亞科技公司	應收關係人往來款	4,996,700	-	1.907%~2.800%	2	-	營運週轉	-	-	-	"	"
0	本公司	華亞科技公司	應收關係人往來款	60,000	-	2.794%	2	-	營運週轉	-	-	-	"	"
0	本公司	亞太投資公司	應收關係人往來款	3,330,600	2,808,300	1.907%~2.800%	2	-	營運週轉	-	-	-	"	"
0	本公司	台朔重工公司	應收關係人往來款	1,330,900	-	1.907%~2.776%	2	-	營運週轉	-	-	-	"	"

註一：1.為有業務往來者。

2.為短期融通資金之必要者。

註二：業務往來金額係進貨加銷貨之金額。

## 南亞電路板股份有限公司及其子公司合併財務報表附註(續)

2. 為他人背書保證：無。

3. 期末持有有價證券情形：

持有之公司	有價證券種類及名稱	與有價證券發行人之關係	帳列科目	期 末				期中最高持股		備註
				股數 (千股或千單位)	帳面金額	持股比率	市價	股數 (千股或千單位)	持股比率	
本公司	南電香港公司股票	本公司之子公司	採權益法之長期股權投資	966,420	6,457,592	100.00 %	-	966,420	100.00 %	註
本公司	南電美國公司股票	本公司之子公司	"	1,000	4,532	100.00 %	-	1,000	100.00 %	"
本公司	台塑石化公司股票	為本公司採權益法認列之公司	"	11,610	655,514	0.13 %	787,158	11,610	0.13 %	無
			小 計		7,117,638					
本公司	台灣塑膠公司股票	本公司之母公司為該公司之法人董事	備供出售金融資產—非流動	6,300	274,680	0.11 %	274,680	6,300	0.11 %	"
本公司	台化纖維公司股票	董事長與本公司總經理為二等親	"	14,546	581,840	0.26 %	581,840	14,546	0.26 %	"
本公司	華亞科技公司股票	董事長為同一人	"	63,494	511,762	1.90 %	511,762	63,494	1.90 %	"
			小 計		1,368,282					
本公司	國泰二號不動產投資信託基金	無	備供出售金融資產—流動	20,268	179,169	-	179,169	20,268	-	"
本公司	Antig Technology Corporation股票	"	以成本衡量之金融資產—非流動	1,132	-	5.48 %	-	1,132	5.48 %	"

註：左列交易於編製合併財務報表時業已沖銷。

4. 累積買進或賣出同一有價證券之金額達新台幣一億元或實收資本額百分之二十以上者：

買、賣之公司	有價證券種類及名稱	帳列科目	交易對象	關係	期 初		買 入		賣 出			期初未實現 利益回轉數	期 末		備註	
					股數 (千股)	金額	股數 (千股)	金額	股數 (千股)	售價	帳面成本		處分損益	股數 (千股)		金額
本公司	國泰全球貨幣市場	備供出售金融資產—流動	-	-	20,000	211,594	-	-	20,000	211,488	200,000	11,488	(11,594)	-	-	
本公司	兆豐國際寶鑽債券基金	"	-	-	25,695	300,442	-	-	25,695	301,190	300,000	1,190	(442)	-	-	
本公司	南電香港公司股票	採權益法之長期股權投資	南電香港公司	本公司之子公司	760,110	4,990,209	206,310	805,222	-	-	-	-	662,161 (註)	966,420	6,457,592	(註一)

(註)其中含依權益法認列投資利益548,607千元及累積換算調整數調增113,554千元。

(註一)左列交易於編製合併財務報表時業已沖銷。

5. 取得不動產之金額達新台幣一億元或實收資本額百分之二十以上者：無。

6. 處分不動產之金額達新台幣一億元或實收資本額百分之二十以上者：無。

南亞電路板股份有限公司及其子公司合併財務報表附註(續)

7.與關係人進、銷貨之金額達新台幣一億元或實收資本額百分之二十以上者：

進(銷)貨之公司	交易對象	關係	交易情形				交易條件與一般交易不同之情形及原因		應收(付)票據、帳款		備註
			進(銷)貨金額	佔總進(銷)貨之比率	授信期間	單價	授信期間	餘額	佔總應收(付)票據、帳款之比率		
本公司	南亞塑膠公司	本公司之母公司	進貨	2,009,164	9.56 %	次月15日	-	-	(86,016)	8.18 %	-
"	南電昆山公司	本公司之子公司	進貨	7,455,759	35.49 %	次月15日	-	-	(294,558)	28.00 %	註
"	文方公司	董事長為同一人	進貨	144,075	0.69 %	月結90天	-	-	(34,905)	3.32 %	-
"	福懋科技公司	董事長與本公司總經理為二等親	(銷貨)	(538,441)	(1.44) %	月結75天	-	-	36,815	0.61 %	-
"	南亞科技公司	原與本公司董事長為同一人	(銷貨)	(139,118)	(0.37) %	月結90天	-	-	3,209	0.05 %	-

(註)左列交易於編製合併財務報表時業已沖銷。

8.應收關係人款項達新台幣一億元或實收資本額百分之二十以上者：

帳列應收款項之公司	交易對象	關係	應收關係人款項餘額	週轉率	逾期應收關係人款項		應收關係人款項期後收回金額	提列備抵呆帳金額
					金額	處理方式		
本公司	台化纖維公司	董事長與本公司總經理為二親等	應收關係人往來款 999,800	-	-	-	203,100	-
本公司	台塑石化公司	為本公司採權益法評價之公司	應收關係人往來款 756,100	-	-	-	756,100	-
本公司	亞太投資公司	本公司董事長為該公司之董事	應收關係人往來款 2,808,300	-	-	-	-	-

9.從事衍生性商品交易：

合併公司民國九十七年度從事衍生性商品交易資訊請詳財務報表附註四(二)、(十四)說明。

(二)轉投資事業相關資訊：

1.被投資公司名稱、所在地區...等相關資訊：

投資公司名稱	被投資公司名稱	所在地區	主要營業項目	原始投資金額		期末持有			被投資公司本期(損)益	本期認列之投資(損)益	備註
				本期期末	上期期末	股數(千股)	比率	帳面金額			
本公司	南電香港公司	香港	電子產品買賣	4,039,514 (USD 123,900 千元)	3,234,292 (USD 97,450 千元)	966,420	100.00 %	6,457,592	548,607	548,607	(註)
"	南電美國公司	美國	客戶推廣	3,479 (USD 100 千元)	3,479 (USD 100 千元)	1,000	100.00 %	4,532	569	569	(註)
南電香港公司	南電昆山公司	大陸	印刷電路板製銷	USD 123,800 千元	USD 97,400 千元	-	100.00 %	6,456,100	511,411	511,411	(註)

(註)：左列交易於編製合併財務報表時業已沖銷。

南亞電路板股份有限公司及其子公司合併財務報表附註(續)

2. 資金貸與他人：

編號	貸出資金之公司	貸與對象	往來科目	本期最高餘額	期末餘額	利率區間	資金貸與性質(註一)	業務往來金額(註二)	有短期融通資金必要之原因	提列備抵呆帳金額	擔保品		對個別對象資金貸與限額	資金貸與總限額	備註
											名稱	價值			
1.	南電昆山公司	南亞銅箔(昆山)	應收關係人往來款	841,071	-	4.01%~6.13%	2	204,032	-	-	-	-	-	6,456,100	-
1.	南電昆山公司	必成玻纖(昆山)	應收關係人往來款	264,408	264,408	5.54%	2	-	-	-	-	-	-	"	-
1.	南電昆山公司	南亞織布染整(昆山)	應收關係人往來款	98,338	-	5.40%~5.54%	2	-	-	-	-	-	-	"	-
2.	南電香港公司	南電(昆山)公司	應收關係人往來款	330,712	330,712	3.13%	2	-	-	-	-	-	-	6,457,592	(註三)

註：南電昆山公司報表所用之幣別為人民幣，以97.12.31新台幣(平均)：人民幣。4.8076(4.5373)：1之匯率轉換為台幣金額。

南電香港公司報表所用之幣別為港幣，以97.12.31新台幣(平均)：港幣=4.2399(4.0501)：1之匯率轉換為台幣金額。

註一：1.為有業務往來者。

2.為短期融通資金之必要者。

註二：業務往來金額係進貨加銷貨之金額。

註三：左列交易於編製合併財務報表時業已沖銷。

3.為他人背書保證：無。

4.期末持有有價證券情形：

持有之公司	有價證券種類及名稱	與有價證券發行人之關係	帳列科目	期末				期中最高持股		備註
				股數	帳面金額	持股比例	市價(淨值)	股數	持股比例	
南電香港公司	南電昆山公司	母子公司	採權益法之長期股權投資	-	6,456,100	100%	6,456,100	-	-	(註)

(註)：左列交易於編製合併財務報表時業已沖銷。

5. 累積買進或賣出同一有價證券之金額達新台幣一億元或實收資本額百分之二十以上者：

買、賣之公司	有價證券種類及名稱	帳列科目	交易對象	關係	期初		買入		賣出			評價(損)益(註)	期末		備註
					股數	金額	股數	金額	股數	售價	帳面成本		處分損益	股數	
南電香港公司	南電昆山公司	採權益法之長期股權投資	-	-	-	4,989,985	-	803,696	-	-	-	662,419	-	6,456,100	(註一)

(註)其中含依權益法認列之投資利益及累積換算調整數。

(註一)：左列交易於編製合併財務報表時業已沖銷。

6. 取得不動產之金額達新台幣一億元或實收資本額百分之二十以上者：無。

7. 處分不動產之金額達新台幣一億元或實收資本額百分之二十以上者：無。

南亞電路板股份有限公司及其子公司合併財務報表附註(續)

8.與關係人進、銷貨之金額達新台幣一億元或實收資本額百分之二十以上者：

進(銷)貨 之公司	交易對象	關係	交易情形				交易條件與一般交易不同之情形及原因		應收(付)票據、帳款		備註
			進(銷)貨	金額	佔總進(銷)貨之比率	授信期間	單價	授信期間	餘額	佔總應收(付)票據、帳款之比率	
南電昆山公司	本公司	母子公司	(銷貨)	(7,455,759)	(87.44)%	次月15日	-	-	294,558	73.93 %	註
"	南亞電子材料(昆山)	負責人為同一人	進貨	1,623,603	24.31 %	O/A90天	-	-	(127,993)	28.56 %	-
"	南亞銅箔(昆山)	負責人為同一人	進貨	209,032	3.13 %	O/A90天	-	-	(7,180)	1.60 %	-

(註)：左列交易於編製合併財務報表時業已沖銷。

9.應收關係人款項達新台幣一億元或實收資本額百分之二十以上者：

帳列應收款項之公司	交易對象	關係	應收關係人款項餘額	週轉率	逾期應收關係人款項		應收關係人款項期後收回金額	提列備抵呆帳金額	備註
					金額	處理方式			
南電昆山公司	本公司	母子公司	應收帳款—關係人 294,558	18.60	-	-	294,558	-	註
"	必成玻纖(昆山)公司	南亞塑膠公司之子公司	應收關係人往來款 264,408	-	-	-	264,408	-	

(註)：左列交易於編製合併財務報表時業已沖銷。

10.從事衍生性商品交易：

南電昆山公司持有之衍生性金融商品明細如下：

項 目	97.12.31	
	帳面金額	名目本金
公平價值變動列入損益之 金融負債—流動：		
利率交換	\$ <u>12,669</u>	US14,600千元

南電昆山公司民國九十七年度從事衍生性金融商品所產生之淨利息收支如下：

	97年度
淨利息	
支 出	
利率交換合約	\$ <u>(583)</u>

南電昆山公司民國九十七年度從事衍生性金融商品所產生之未實現評價(損失)利益如下：

	97年度
利率交換合約	\$ <u>(12,669)</u>

南電昆山公司於民國九十七年度開始與美國銀行簽訂利率交換合約，主要係規避美金借款之利率波動風險。

南亞電路板股份有限公司及其子公司合併財務報表附註(續)

(三)大陸投資資訊：

1.轉投資大陸地區之事業相關資訊

大陸被投資 公司名稱	主要營 業項目	實收資本額	投資方式	本期期初自 台灣匯出累 積投資金額	本期匯出或收 回投資金額		本期期末自 台灣匯出累 積投資金額	本公司直接 或間接投資 之持股比例	本期認列投 資損益(註)	期末投資 帳面價值	截至本期 止已匯回 投資收益
					匯出	收 回					
南電昆山 公司	印刷電路板 製銷	USD123,800 千元	透過南電香港公司 轉投資	USD97,400 千元	USD26,400 千元	-	USD123,800 千元	100 %	511,411	6,456,100	-

(註)經臺灣母公司簽證會計師查核簽證之財務報表認列損益。

2.轉投資大陸地區限額

本期期末累計自台灣匯出 赴大陸地區投資金額	經濟部投審會核准投資金額	依經濟部投審會規定 赴大陸地區投資限額
USD123,800千元	USD123,800千元	21,308,767 (註1)

註1：淨值之百分之六十。

3.重大交易事項：

本公司民國九十七年度與大陸被投資公司直接或間接之重大交易事項，請詳「重大交易事項及轉投資事業相關資訊」項下說明。

(四)母子公司間業務關係及重要交易往來情形：

民國九十七年度

編號 (註一)	交易人名稱	交易往來對象	與交易人 之關係 (註二)	交易往來情形			
				科目	金額	交易條件	佔合併總營收或 總資產之比率
0	本公司	南電昆山公司	1	銷貨	49,247	O/A50天	0.13 %
1	南電昆山公司	本公司	2	銷貨	7,455,759	O/A45天	19.46 %
0	本公司	南電昆山公司	1	應收帳款	9,688	O/A50天	0.02 %
1	南電昆山公司	本公司	2	應收帳款	294,588	O/A45天	0.66 %
1	南電昆山公司	本公司	2	機器設備	37,709	-	0.09 %
0	本公司	南電美國公司	1	佣金費用	19,199	-	0.05 %

民國九十六年度

編號 (註一)	交易人名稱	交易往來對象	與交易人 之關係 (註二)	交易往來情形			
				科目	金額	交易條件	佔合併總營收或 總資產之比率
0	本公司	南電昆山公司	1	銷貨	46,411	O/A50天	0.12 %
1	南電昆山公司	本公司	2	銷貨	7,099,503	O/A45天	17.67 %
0	本公司	南電昆山公司	1	應收帳款	4,514	O/A50天	0.01 %
1	南電昆山公司	本公司	2	應收帳款	507,053	O/A45天	1.01 %
1	南電昆山公司	本公司	2	機器設備	48,463	-	0.10 %
0	本公司	南電昆山公司	1	其他應收款	1,266	-	-
0	本公司	南電美國公司	1	佣金費用	18,857	-	0.05 %

## 南亞電路板股份有限公司及其子公司合併財務報表附註(續)

註一、編號之填寫方式如下：

1.0代表母公司。

2.子公司依公司別由阿拉伯數字1開始依序編號。

註二、與交易人之關係種類標示如下：

1.母公司對子公司。

2.子公司對母公司。

註三、母子公司間業務關係及交易往來情形，僅揭露銷貨及應收帳款之資料，相對之進貨及應付帳款不再贅述。

### 十二、部門別財務資訊：

(一)產業別資訊：合併公司主要係經營印刷電路板製造、銷售之單一產業。

(二)地區別資訊：

	97年度				
	國內	美洲	亞洲	調整及沖銷	合併
來自母公司及合併 子公司以外客戶 之收入	\$ 37,249,566	-	1,069,121	-	\$ 38,318,687
來自母公司及合併 子公司之收入	49,247	19,199	7,455,759	(7,524,205)	-
收入合計	<u>\$ 37,298,813</u>	<u>19,199</u>	<u>8,524,880</u>	<u>(7,524,205)</u>	<u>\$ 38,318,687</u>
部門損益	<u>\$ 8,228,750</u>	<u>569</u>	<u>548,608</u>	<u>(365,304)</u>	8,412,623
利息費用					(170,860)
稅前淨利					<u>\$ 8,241,763</u>
資產合計	<u>\$ 39,894,946</u>	<u>4,637</u>	<u>11,407,461</u>	<u>(6,950,381)</u>	<u>\$ 44,356,663</u>

	96年度				
	國內	美洲	亞洲	調整及沖銷	合併
來自母公司及合併 子公司以外客戶 之收入	\$ 38,657,505	-	1,515,662	-	\$ 40,173,167
來自母公司及合併 子公司之收入	46,411	18,857	7,099,503	(7,164,771)	-
收入合計	<u>\$ 38,703,916</u>	<u>18,857</u>	<u>8,615,165</u>	<u>(7,164,771)</u>	<u>\$ 40,173,167</u>
部門損益	<u>\$ 10,158,197</u>	<u>780</u>	<u>1,199,422</u>	<u>(966,749)</u>	10,391,650
利息費用					(255,131)
稅前淨利					<u>\$ 10,136,519</u>
資產合計	<u>\$ 44,677,154</u>	<u>4,040</u>	<u>11,188,239</u>	<u>(5,701,595)</u>	<u>\$ 50,167,838</u>

南亞電路板股份有限公司及其子公司合併財務報表附註(續)

(三)外銷銷貨資訊：合併公司民國九十七年度及九十六年度外銷(台灣以外)銷貨收入金額明細如下：

<u>地 區</u>	<u>97年度</u>	<u>96年度</u>
亞 洲	\$ 28,064,855	26,955,750
美 洲	2,289,615	3,341,902
歐 洲	1,284,393	1,955,615
其 他	13,178	31,424
合 計	<u>\$ 31,652,041</u>	<u>32,284,691</u>

(四)重要客戶資訊：合併公司民國九十七年度及九十六年度佔營業收入淨額10%以上之重要客戶明細如下：

	<u>97年度</u>		<u>96年度</u>	
	<u>金 額</u>	<u>所佔比率(%)</u>	<u>金 額</u>	<u>所佔比率(%)</u>
甲公司	\$ 11,675,341	30.47	9,464,492	23.56
乙公司	4,469,463	11.66	5,522,181	13.74
丙公司	3,092,487	8.07	5,140,998	12.80
	<u>\$ 19,237,291</u>	<u>50.20</u>	<u>20,127,671</u>	<u>50.10</u>

